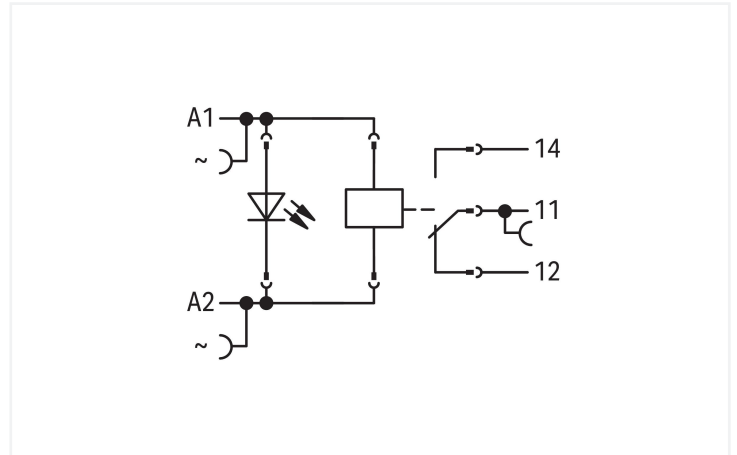
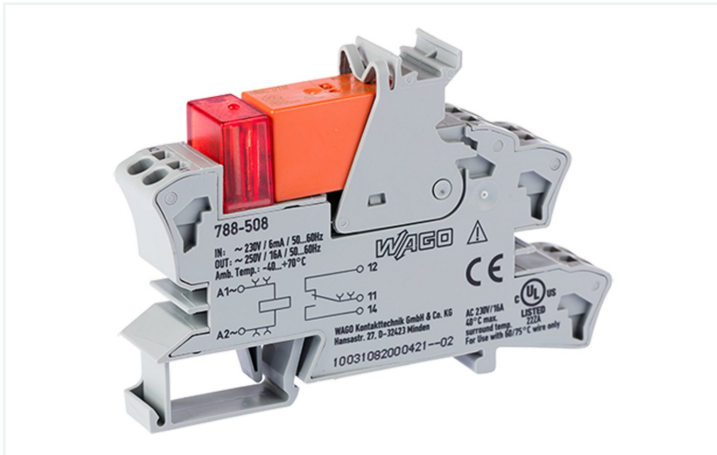


# Data Sheet | Item Number: 788-508

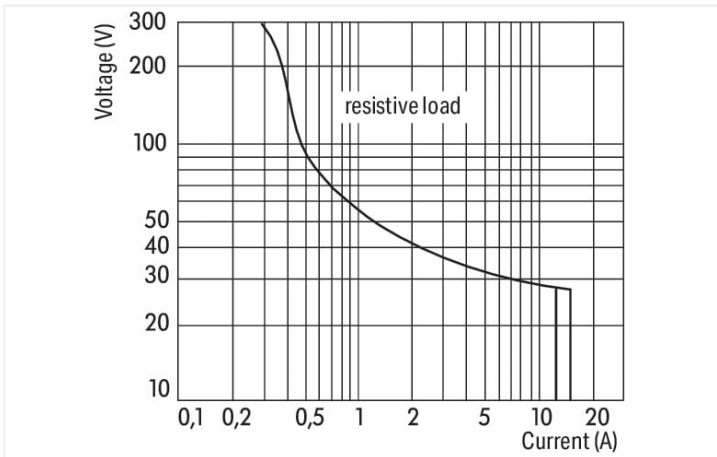
Relay module; Nominal input voltage: 230 VAC; 1 changeover contact; Limiting continuous current: 16 A; Red status indicator; Module width: 15 mm; 2,50 mm<sup>2</sup>; gray



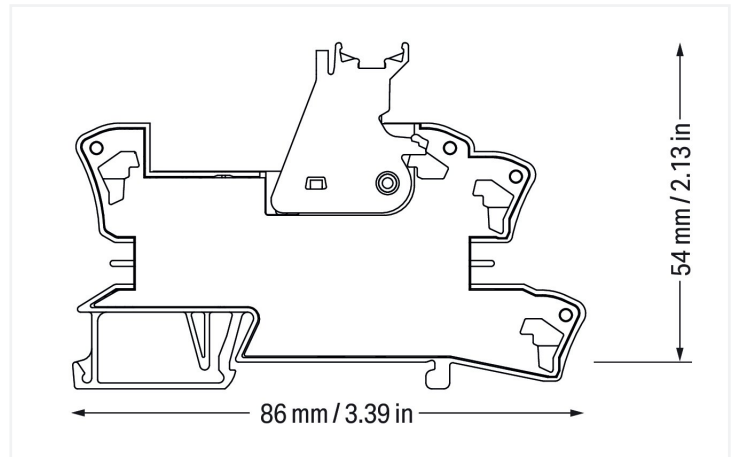
<https://www.wago.com/788-508>



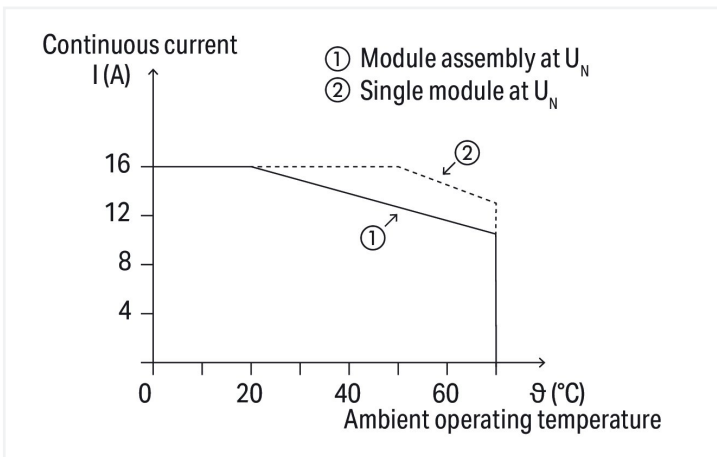
Color: ■ gray



DC load limit curve



Dimensions in mm



Current-carrying capacity curve

## Notes

Safety Information	A separator plate (e.g., 209-191) must be used for voltages greater than 250 V between adjacent relay modules and for compliance with the reinforced insulation requirements.
Note	Reinforced insulation between coil and contacts To protect the relay coils and contacts, inductive loads must be dampened with an effective protection circuit.

## Technical data

### Control circuit

Nominal input voltage $U_N$	AC 230 V
Input voltage range	$\pm 10\%$
Nominal input current at $U_N$	4 mA

### Load circuit

Number of changeover/switchover contacts	1
Contact material (relay)	AgNi 90/10
Limiting continuous current	16 A
Inrush current (resistive) max.	(AC) 30 A / 4 s
Switching Voltage, Max.	AC 250 V
Switching power (resistive) max.	AC 4000 VA; DC (see load limit curve)
Switching capacity	AC-15: 6 A / AC 250 V; DC-13: 2 A / DC 24 V
Recommended minimum load	12 V / 10 mA
Pull-in time (typ.)	10 ms
Drop-out time (typ.)	35 ms
Bounce time (typ.)	6 ms
Electrical life (NO; resistive load; 23 °C)	$30 \times 10^3$ switching operations
Mechanical life	$5 \times 10^6$ switching operations
Switching frequency with/without load (max.)	$6 \text{ min}^{-1}$ / $600 \text{ min}^{-1}$

## Signaling

Status indicator	Red LED
------------------	---------

## Safety and protection

Rated Voltage	250 V
Rated surge voltage	4 kV
Pollution degree	3
Dielectric strength (control/load circuit) (AC, 1 min)	5 kVrms
Dielectric strength (open contact) (AC, 1 min)	1 kVrms
Safety Information	A separator plate (e.g., 209-191) must be used for voltages greater than 250 V between adjacent relay modules and for compliance with the reinforced insulation requirements.
Protection type	IP20

## Connection data

Connection technology	Push-in CAGE CLAMP®
Solid conductor	0.34 ... 2.5 mm <sup>2</sup> / 22 ... 14 AWG
Fine-stranded conductor	0.34 ... 2.5 mm <sup>2</sup> / 22 ... 14 AWG
Strip length	9 ... 10 mm / 0.35 ... 0.39 inches

### Physical data

Width	15 mm / 0.591 inches
Height	86 mm / 3.386 inches
Depth from upper-edge of DIN-rail	54 mm / 2.126 inches

### Mechanical data

Mounting type	DIN-35 rail
---------------	-------------

### Material data

Note (material data)	<a href="#">Information on material specifications can be found here</a>
Color	gray
Fire load	0.85 MJ
Weight	46 g

### Environmental requirements

Ambient temperature (operation at $U_N$ )	-40 ... +70 °C
Ambient temperature UL (operation at $U_N$ )	-40 ... +40 °C
Ambient temperature (storage)	-40 ... +70 °C
Processing temperature	-25 ... +50 °C
Temperature range of connection cable	$\geq (T_{\text{ambient}} + 20 \text{ K})$

### Standards and specifications

Standards/specifications	EN 61010-2-201 EN 61810-1 EN 61373 UL 508 (max. 40 °C) DNV
--------------------------	--

### Basic relay

WAGO Basic Relay	788-178
------------------	---------

### Commercial data

Product Group	6 (INTERFACE ELECTRONIC)
eCl@ss 10.0	27-37-16-01
eCl@ss 9.0	27-37-16-01
ETIM 9.0	EC001437
ETIM 8.0	EC001437
PU (SPU)	20 (1) pcs
Packaging type	Box
Country of origin	CN
GTIN	4055143192347
Customs tariff number	85364900990

Environmental Product Compliance	
CAS-No.	7439-92-1 79-94-7
REACH Candidate List Substance	2,2',6,6'-tetrabromo-4,4'-isopropylidenediphenol Lead
RoHS Compliance Status	Compliant,With Exemption
RoHS Exemption	7(a)
SCIP notification number (Austria)	1ff4f8fd-84d5-44d8-8eed-34cca1e26a49
SCIP notification number (Belgium)	c193c014-da37-41d6-8c7e-f08334dfe84
SCIP notification number (Bulgaria)	e04c232c-7216-4c6a-9dd8-11f3575588ee
SCIP notification number (Czech Republic)	0a4c5114-38af-491c-9b67-06be20f57747
SCIP notification number (Denmark)	f8646027-ced0-49e7-8f2f-9d917264cbb6
SCIP notification number (Finland)	19d83842-fef3-4481-aac5-5450a6ca83ed
SCIP notification number (France)	c62f1a8e-c6c9-436e-8b6c-19919b833cc9
SCIP notification number (Germany)	863e063b-247f-41c0-9d76-fdbccac297bd
SCIP notification number (Hungary)	2da77dbb-2c11-4158-8fb9-4f668ae81af4
SCIP notification number (Italy)	ca06c26d-b965-4ef5-88db-fe2b0dd29334
SCIP notification number (Netherlands)	162cfe5b-b770-480c-9994-327f7741468a
SCIP notification number (Poland)	78bbbc07-5984-440d-9360-29004fccb15b
SCIP notification number (Romania)	db2f516b-0cb7-4862-a0dc-d05708b95da4
SCIP notification number (Sweden)	0d6c29c4-589d-4cc4-b325-89aaa52177c6

### Approvals / Certificates

General approvals			Declarations of conformity and manufacturer's declarations		
Approval	Standard	Certificate Name	Approval	Standard	Certificate Name
EAC GZO Almaty Standart	TP TC 004/2011	EAC CoC 03084	EU-Declaration of Confor- mity WAGO GmbH & Co. KG	-	-
UL Underwriters Laboratories Inc. (ORDINARY LOCATI- ONS)	UL 508	E175199 Vol.1 Sec.6	UK-Declaration of Confor- mity WAGO GmbH & Co. KG	-	-

### Approvals for marine applications

Approval	Standard	Certificate Name
DNV DNV Germany GmbH	DNV-CG-0339, Aug.2021	TAA00001D1

## Downloads

### Environmental Product Compliance

Compliance Search			
Environmental Product Compliance 788-508			<a href="#">↓</a>

## Documentation

Bid Text			
788-508	19.02.2019	xml 4.61 KB	<a href="#">↓</a>
788-508	25.01.2019	docx 16.52 KB	<a href="#">↓</a>

Instruction Leaflet			
Sockets with Elementary Relay/ SSR	V 1.0.1 09.10.2020	pdf 2271.22 KB	<a href="#">↓</a>

## CAD/CAE-Data

CAD data	
2D/3D Models 788-508	<a href="#">↓</a>

CAE data	
EPLAN Data Portal 788-508	<a href="#">↓</a>
WSCAD Universe 788-508	<a href="#">↓</a>
ZUKEN Portal 788-508	<a href="#">↓</a>

## 1 Compatible Products

### 1.1 Optional Accessories

#### 1.1.1 Basic relay

##### 1.1.1.1 Basic relay



**Item No.: 788-178**  
 Basic relay; Nominal input voltage: 230 VAC; 1 changeover contact; Limiting continuous current: 16 A; Module width: 13 mm; Module height: 15 mm

#### 1.1.2 Ferrule

##### 1.1.2.1 Ferrule



**Item No.: 216-241**  
 Ferrule; Sleeve for 0.5 mm<sup>2</sup> / 20 AWG; insulated; electro-tin plated; electrolytic copper; gastight crimped; acc. to DIN 46228, Part 4/09.90; white



**Item No.: 216-242**  
 Ferrule; Sleeve for 0.75 mm<sup>2</sup> / 18 AWG; insulated; electro-tin plated; electrolytic copper; gastight crimped; acc. to DIN 46228, Part 4/09.90; gray



**Item No.: 216-243**  
 Ferrule; Sleeve for 1 mm<sup>2</sup> / AWG 18; insulated; electro-tin plated; electrolytic copper; gastight crimped; acc. to DIN 46228, Part 4/09.90; red



**Item No.: 216-244**  
 Ferrule; Sleeve for 1.5 mm<sup>2</sup> / AWG 16; insulated; electro-tin plated; electrolytic copper; gastight crimped; acc. to DIN 46228, Part 4/09.90; black



**Item No.: 216-542**  
 Twin ferrule; Sleeve for 2 x 1 mm<sup>2</sup> / AWG 2 x 18; red, insulated; 12 mm long; red

### 1.1.3 Filter module

#### 1.1.3.1 Suppressor module



**Item No.: 788-148**

Filter module; RC filter element; Nominal voltage: 230 VAC

### 1.1.4 Indicators

#### 1.1.4.1 Status indication



**Item No.: 788-125**

Accessories for relay modules; Operation status indicator: red

### 1.1.5 Jumper

#### 1.1.5.1 Jumper



**Item No.: 788-118**

Jumper; for jumper slot; 2-way; from 1 to 3; insulated; light gray



**Item No.: 788-113**

Jumper; for jumper slot; 2-way; insulated; light gray



**Item No.: 859-402**

Jumper; for jumper slot; 2-way; insulated; light gray



**Item No.: 788-114**

Jumper; for jumper slot; 3-way; insulated; light gray



**Item No.: 788-115**

Jumper; for jumper slot; 4-way; insulated; light gray



**Item No.: 788-116**

Jumper; for jumper slot; 6-way; insulated; light gray



**Item No.: 788-117**

Jumper; for jumper slot; 8-way; insulated; light gray

### 1.1.6 Marking

#### 1.1.6.1 Double marker carrier



**Item No.: 209-128**

Adaptor; gray

#### 1.1.6.2 Group marker carrier



**Item No.: 249-105**

Group marker carrier; gray



**Item No.: 209-145**

Group marker carrier; white

1.1.6.3 Marker



**Item No.: 209-183**  
Marker; white

**Item No.: 793-502**  
WMB marking card; as card; MARKED; 1 ... 10 (10x); not stretchable; Horizontal marking; snap-on type; white

**Item No.: 793-503**  
WMB marking card; as card; MARKED; 11 ... 20 (10x); not stretchable; Horizontal marking; snap-on type; white

**Item No.: 793-504**  
WMB marking card; as card; MARKED; 21 ... 30 (10x); not stretchable; Horizontal marking; snap-on type; white



**Item No.: 793-505**  
WMB marking card; as card; MARKED; 31 ... 40 (10x); not stretchable; Horizontal marking; snap-on type; white

**Item No.: 793-501**  
WMB marking card; as card; not stretchable; plain; snap-on type; white

**Item No.: 2009-115**  
WMB-Inline; for Smart Printer; 1500 pieces on roll; stretchable 5 - 5.2 mm; plain; snap-on type; white

1.1.6.4 Marking device



**Item No.: 210-110**  
Fiber-tip pen

1.1.6.5 Marking strip



**Item No.: 2009-110**  
Marking strips; for Smart Printer; on reel; not stretchable; plain; snap-on type; white

1.1.6.6 Protective marker cover



**Item No.: 209-184**  
Protection cover; transparent

1.1.7 Tool

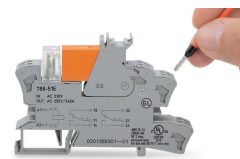
1.1.7.1 Operating tool



**Item No.: 210-720**  
Operating tool; Blade: 3.5 x 0.5 mm; with a partially insulated shaft; multicoloured

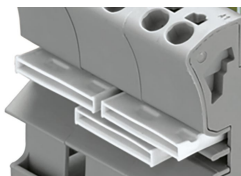
Installation Notes

Conductor termination



Conductor termination

## Commoning



Easy commoning using adjacent jumpers

## Marking



Marking using WMB Multi markers and group marker carriers.