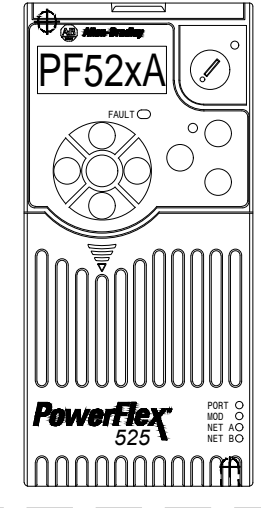
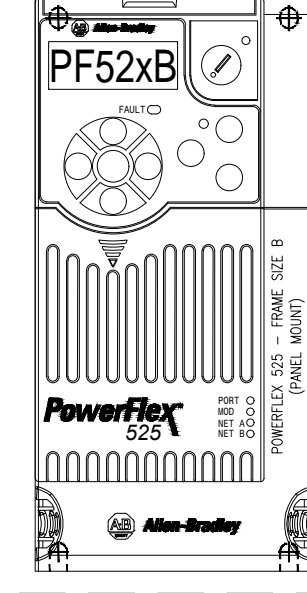


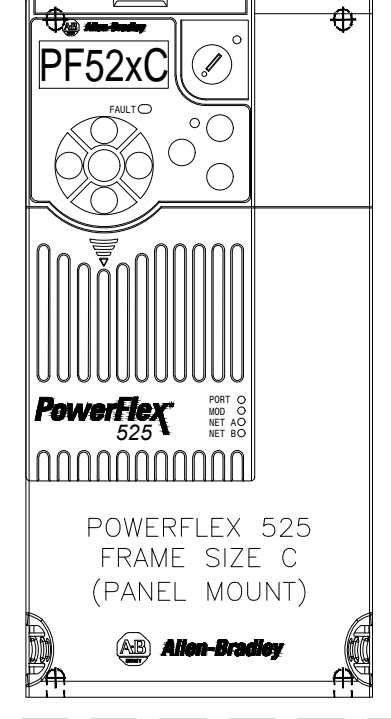
DRIVE FRAME -- A		
INPUT VOLTAGE & PHASE	DRIVE HORSEPOWER	DRIVE OUTPUT AMPS
240V 3 PHASE	0.5 HP	2.5 A
	1.0 HP	5.0 A
	2.0 HP	8.0 A
480V 3 PHASE	0.5 HP	1.4 A
	1.0 HP	2.3 A
	2.0 HP	4.0 A
600V 3 PHASE	0.5 HP	0.9 A
	1.0 HP	1.7 A
	2.0 HP	3.0 A
	3.0 HP	4.2 A



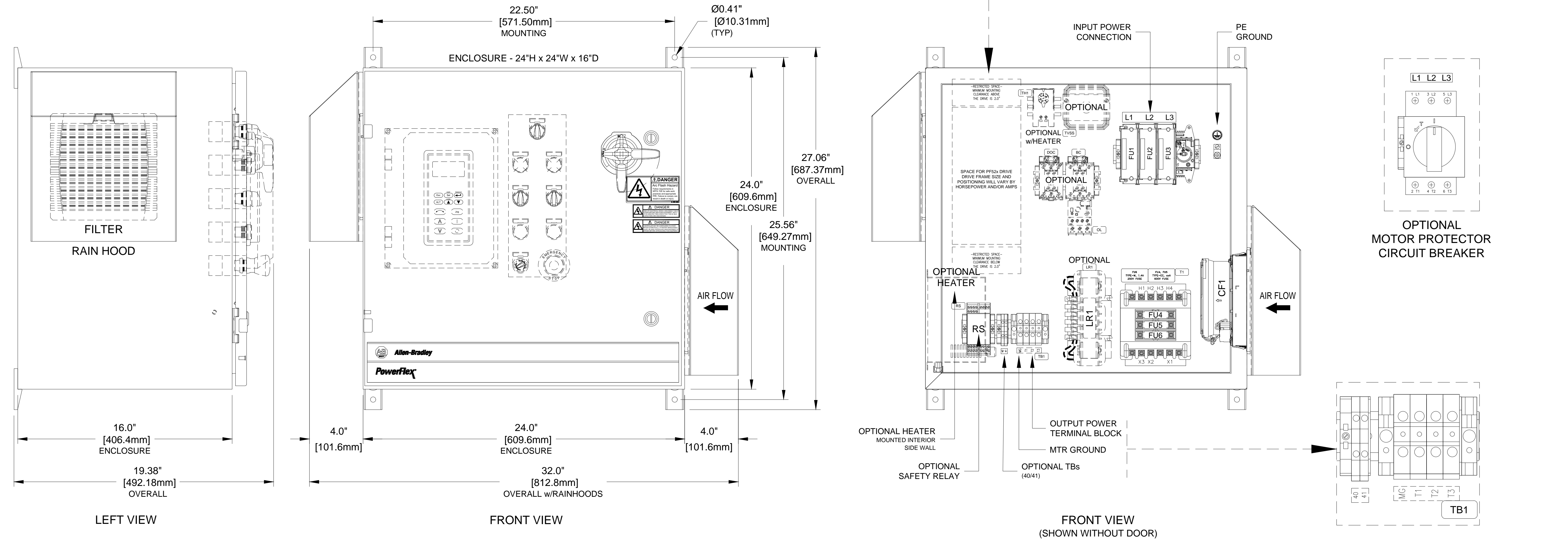
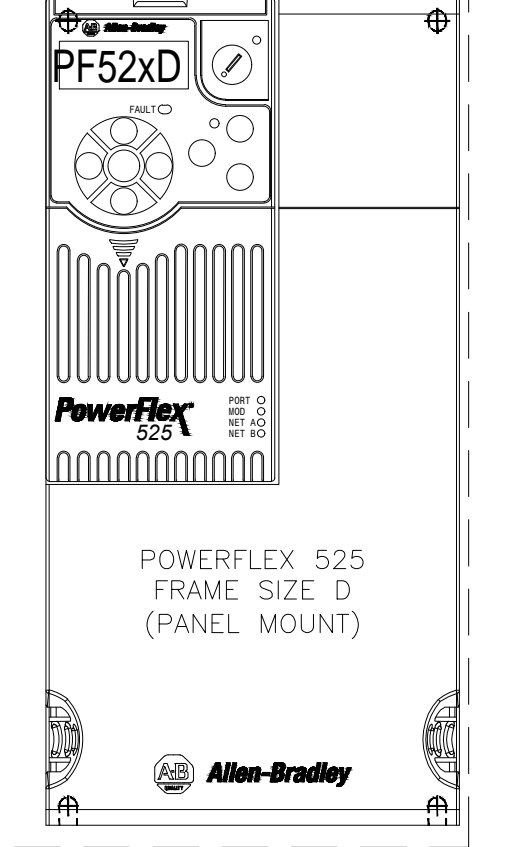
DRIVE FRAME -- B		
INPUT VOLTAGE & PHASE	DRIVE HORSEPOWER	DRIVE OUTPUT AMPS
240V 3 PHASE	5.0 HP	17.5 A
	5.0 HP	10.0 A
	5.0 HP	6.6 A



DRIVE FRAME -- C		
INPUT VOLTAGE & PHASE	DRIVE HORSEPOWER	DRIVE OUTPUT AMPS
240V 3 PHASE	7.5 HP	24.0 A
	7.5 HP	13.0 A
	10.0 HP	24.0 A
480V 3 PHASE	10.0 HP	24.0 A
	10.0 HP	12.0 A



DRIVE FRAME -- D		
INPUT VOLTAGE & PHASE	DRIVE HORSEPOWER	DRIVE OUTPUT AMPS
240V 3 PHASE	10.0 HP	32.2 A
	15.0 HP	24.0 A
	20.0 HP (ND) 15.0 HP (HD)	30.0 A
480V 3 PHASE	15.0 HP	19.0 A
	20.0 HP (ND) 15.0 HP (HD)	22.0 A



**THIS OUTLINE DRAWING IS SHOWN WITH ALL AVAILABLE OPTIONS
THE PRODUCT PURCHASED MAY NOT HAVE THESE OPTIONS INSTALLED**

DATE	BY	APPROVAL
09 JUL 21	DRS	DESIGN REVIEW
		FOR MANUFACTURING
		AS SHIPPED
		AS COMMISSIONED

REV.	DATE	BY	ECN/CR. NO.
001	09 JUL 21	KAP	AS ISSUED



THIS DRAWING IS THE PROPERTY OF ROCKWELL AUTOMATION, INC.
OR ITS SUBSIDIARIES AND MAY NOT BE COPIED, USED OR DISCLOSED FOR ANY PURPOSE EXCEPT AS AUTHORIZED IN WRITING BY ROCKWELL AUTOMATION, INC.

TITLE: OUTLINE & COMPONENT LAYOUT, PF523/525, FRAMES- A-D, NEMA-4 & 4X, 3-PHASE ALL PRODUCT OPTIONS SHOWN; 2-CONTACTOR BYPASS, 5% LINE REACTOR HEATER (w/THERMOSTAT), SURGE SUPPRESSOR, DOOR HIM/COVER & OPERATOR DEVICES

DR. BY KAP/ACI DATE 25 JUN 21 | CHK. BY DRS/ACI DATE 06/25/21 | ENG. DRS/ACI DATE 06/25/21 | DWG. NO. 95D04946 | NEXT SH. | SH. NO. 1

PLOT DATE=TIME: Jan 18, 2023 4:56pm