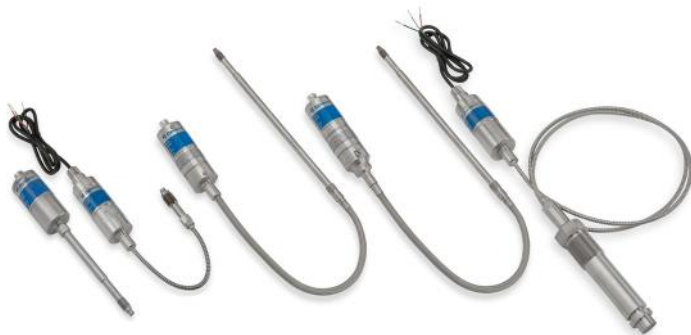


Dynisco SPX-T (3-Series)

GENERAL PURPOSE SMART PRESSURE SENSORS
FOR HAZARDOUS LOCATIONS



Description

The SPX-T (3-Series) is a smart 4-20mA pressure transmitter that includes Temperature Compensation and DynaLarity™, a Dynisco innovation. The SPX-T delivers the best spec performance in the line. Temperature Compensation is based on an RTD measurement that compensates for temperature variations which reduces temperature-related drift and increases accuracy. No need to re-zero for temperature changes after installation. DynaLarity uses an advanced algorithm that will linearize offsets due to process effects on the sensor. Combined Temperature Compensation and DynaLarity reduces temperature-related drift by as much as 80% and improves accuracy by more than 60% over other sensors. Process temperature output is available (RTD or 4-20mA). HART communication is standard. The SPX 3-Series is an all-welded construction designed for use in hazardous locations and are available with a variety of different process and electrical connections.

These amplified transmitters eliminate the need for external signal conditioning. All models can interface directly with distributed control systems, PLC's, computers, and similar high level control devices

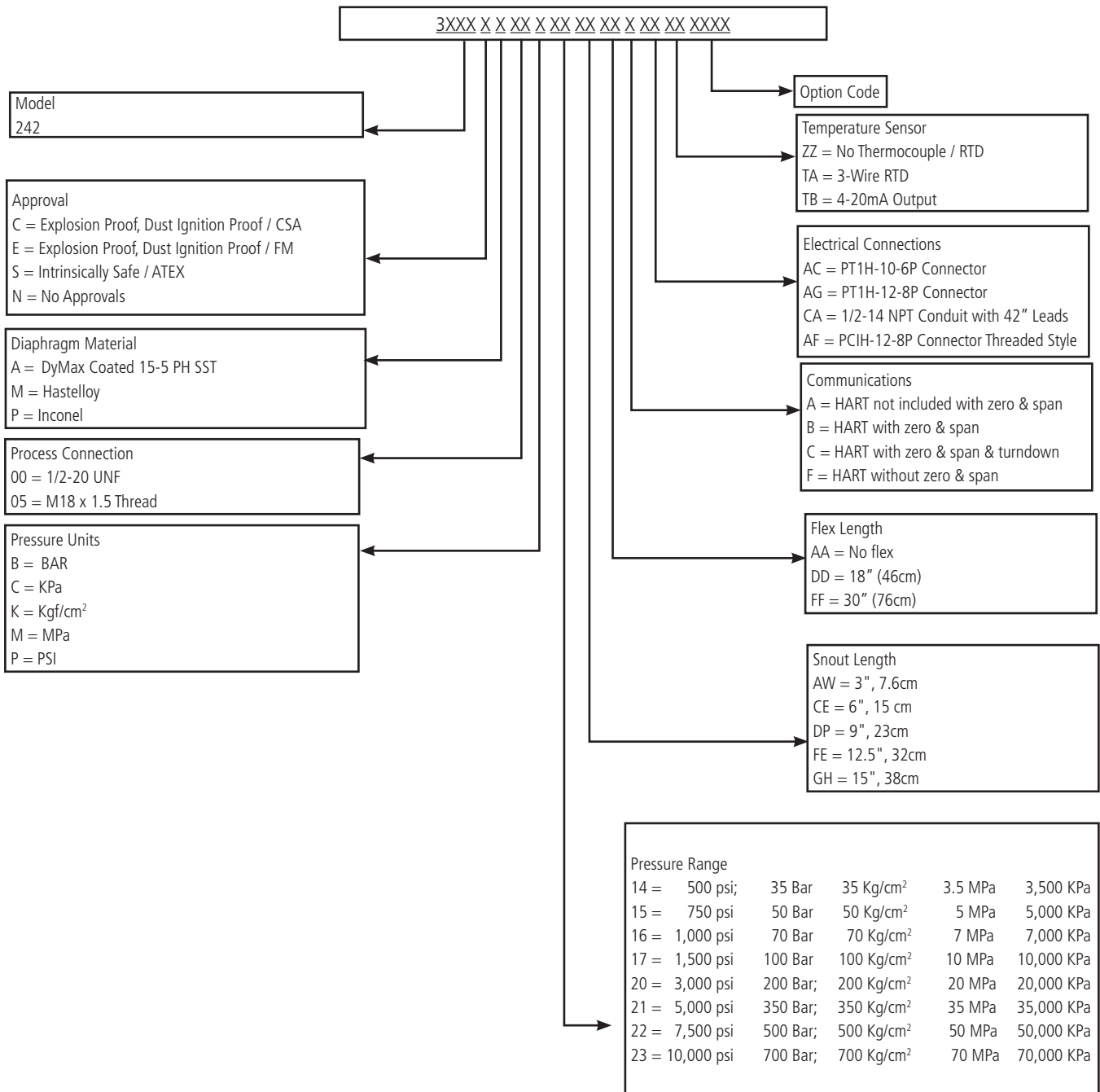
Features

- 4-20mA loop-powered output
- +/- 0.15% accuracy available
- Reduced temperature drift by 80% over non compensated units
- Temperature output available (RTD or 4-20mA)
- Wide selection of pressure ranges available
- Turndown 6:1
- Configurations available for use in hazardous locations
- Remotely configurable via HART
- Precise, repeatable pressure measurements
- Output supplied directly to DSC or PLC
- Meets CE requirements
- CE ATEX Intrinsically Safe Approved
- IECEx Intrinsically Safe Approved
- FM Explosion proof approved
- CSA Explosion proof approved
- SIL 2 Certified (pressure output)
- PL'c' Certified (relay output)
- Additional approvals are available

Performance Characteristics SPX-T (3- Series)	
Output	4 - 20 mA, with optional HART™
Input Voltage	16 - 36 Vdc (Std); 16 - 30 Vdc (ATEX IS)
Accuracy	<p>32XX: ± 0.25% for pressure ranges ≥ 3,000 psi ± 0.5% for pressure ranges = 1,500 psi ± 0.75% for pressure ranges < 1,500 psi</p> <p>33XX: ± 0.15% for pressure ranges ≥ 3,000 psi ± 0.25% for pressure ranges = 1,500 psi ± 0.5% for pressure ranges < 1,500 psi</p> <p><small>Accuracy is defined as the combined error expressed as a percentage of full scale output with the specifications of: Electronics ambient temperature; Snout compensated temperature range; capillary of ≤ 36"; DyMax coated 15-5 SST diaphragm; Best Straight Line (BSL) %FS, per ISA-37.1. Consult Factory for availability and specifications of other configurations.</small></p>
Repeatability	±0.1%
Rangeability	6:1 Turndown
Over Pressure	1.5 x FSO
Load Resistance	500 Ω @ 24 Vdc, 1,000 Ω @ 36 Vdc
Electronics Ambient Temperature	70°F (20°C)
Electronics Operating Temperature	-20 to 185°F (-29 to 85°C)
Electronics Compensated Temperature Range	70 to 185°F (20 to 85°C)
Snout Compensated Temperature Range	70 to 572°F (20 to 300°C)
Snout Operating Temperature	Models: 3242, 3243, 3342, 3343: 32 to 752°F (0 to 400°C) Models: 3290, 3291, 3390, 3391: 32 to 600°F (0 to 315°C)

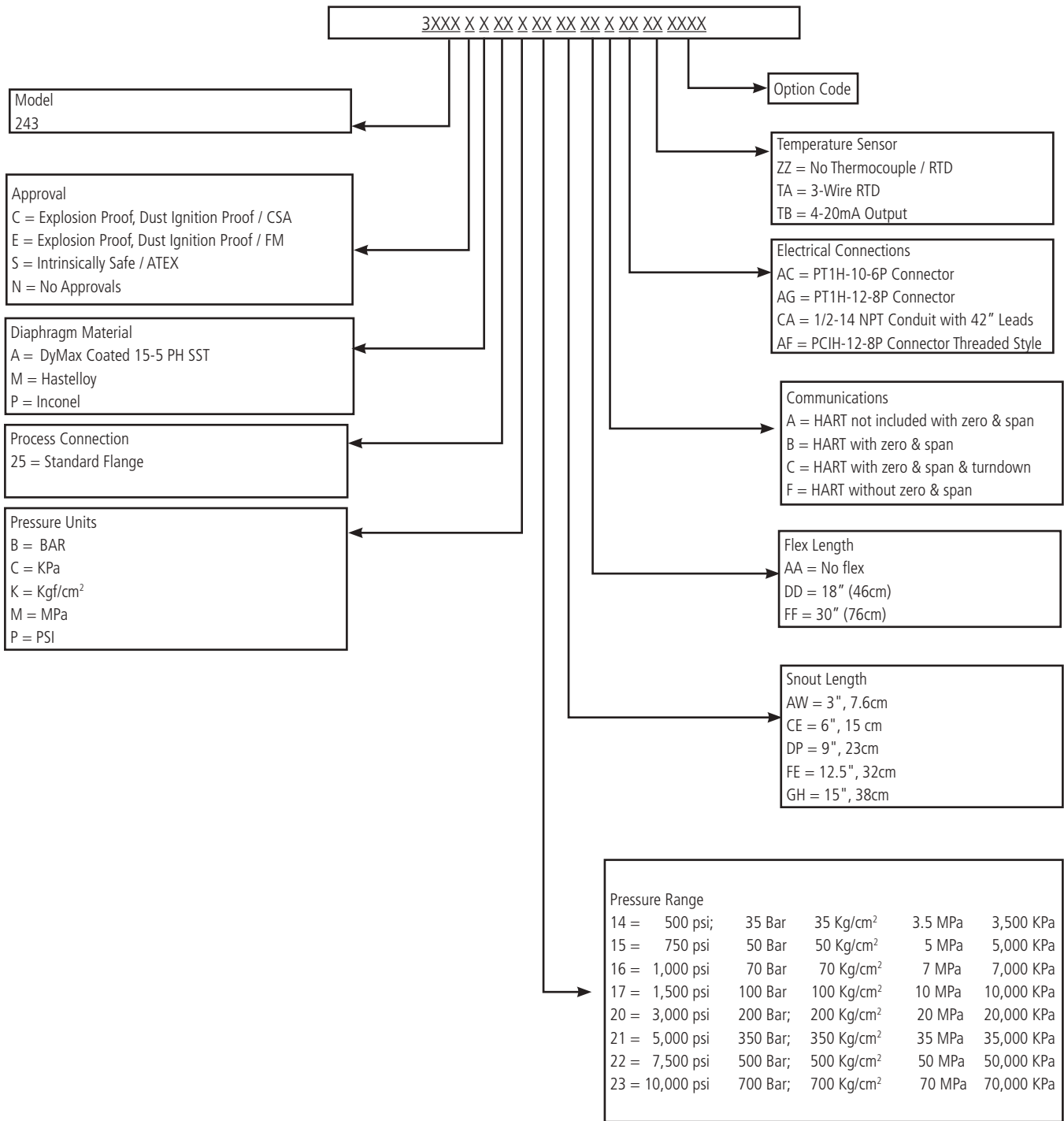
Mechanical Characteristics	
Mounting Torque	3242: 500 inch-lbf max 3243: 50 inch-lbf max 3342: 500 inch-lbf max 3343: 50 inch-lbf max 3290: 350 inch-lbf max 3291: 350 inch-lbf max 3390: 350 inch-lbf max 3391: 350 inch-lbf max
Standard Wetted Parts	DyMax coated 15-5 PH SST
Approvals & Certifications	
ATEX/IECEX Intrinsically Safe	
SIL 2 (pressure output) & PL'c' (relay output)	
FM & CSA Explosion Proof	
Additional Approvals are Available	

Ordering Guide for Models SPX3242¹



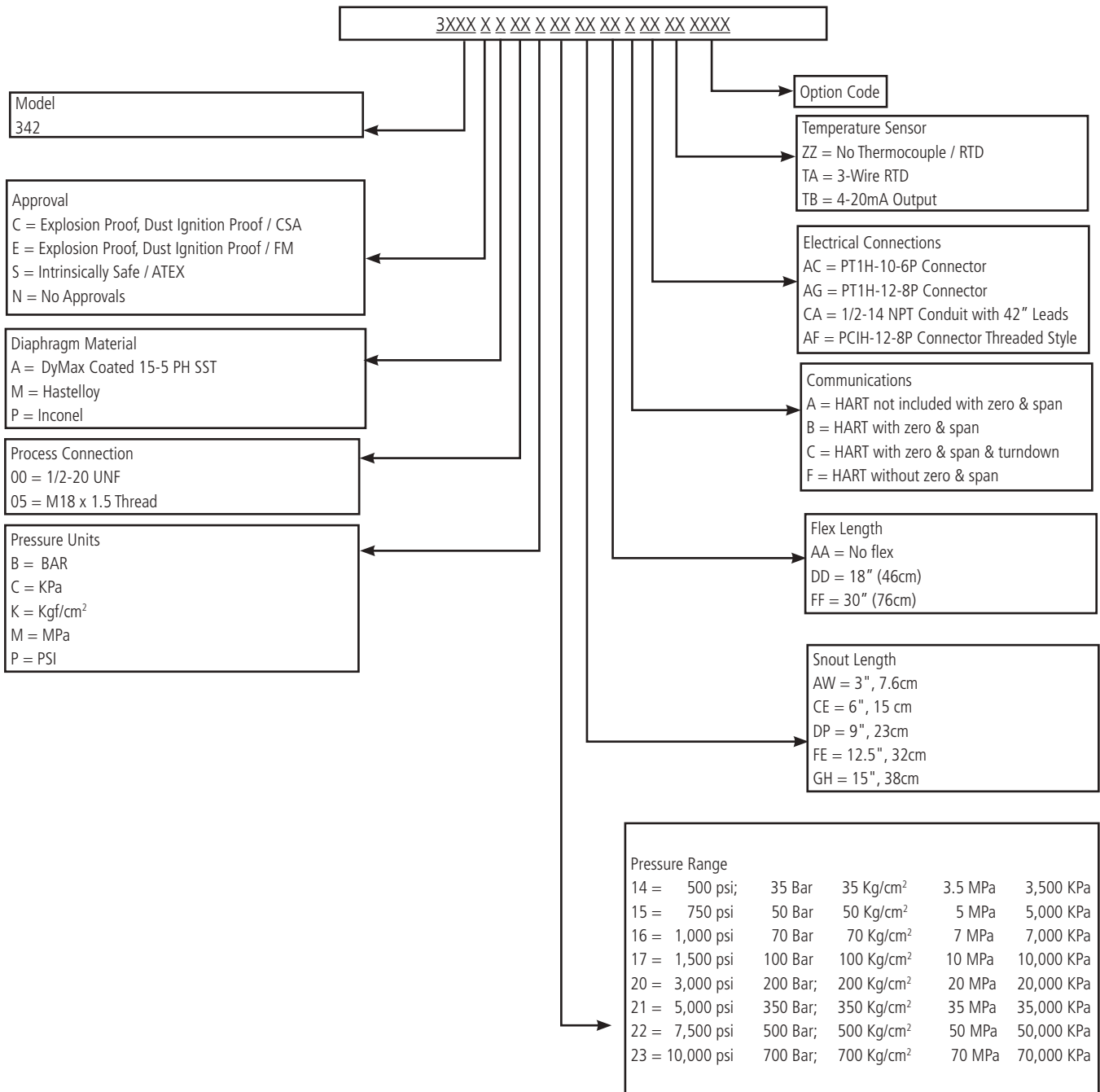
¹ Other configurations are available. Please consult factory.

Ordering Guide for Models SPX3243¹



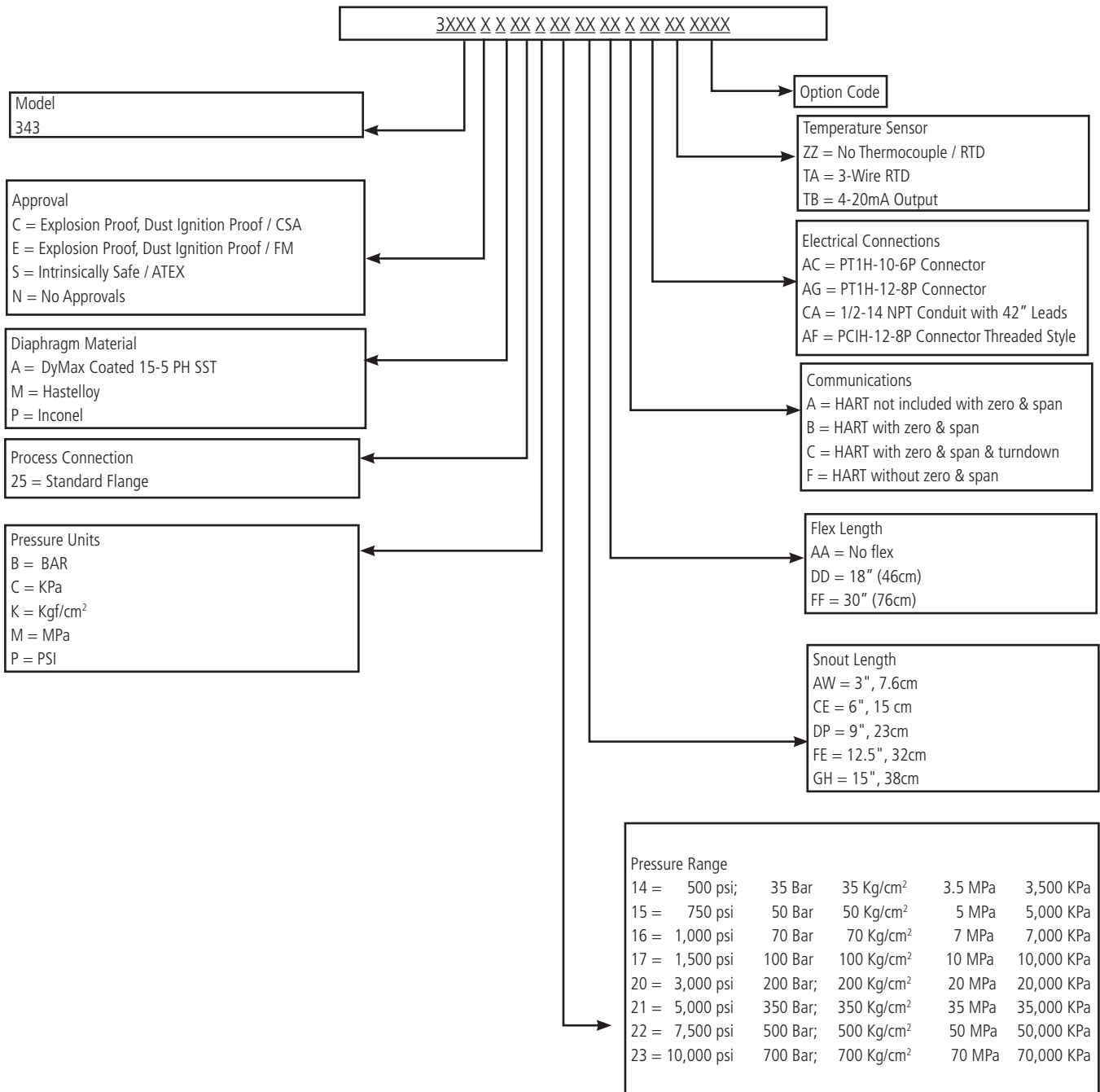
¹ Other configurations are available. Please consult factory.

Ordering Guide for Models SPX3342¹



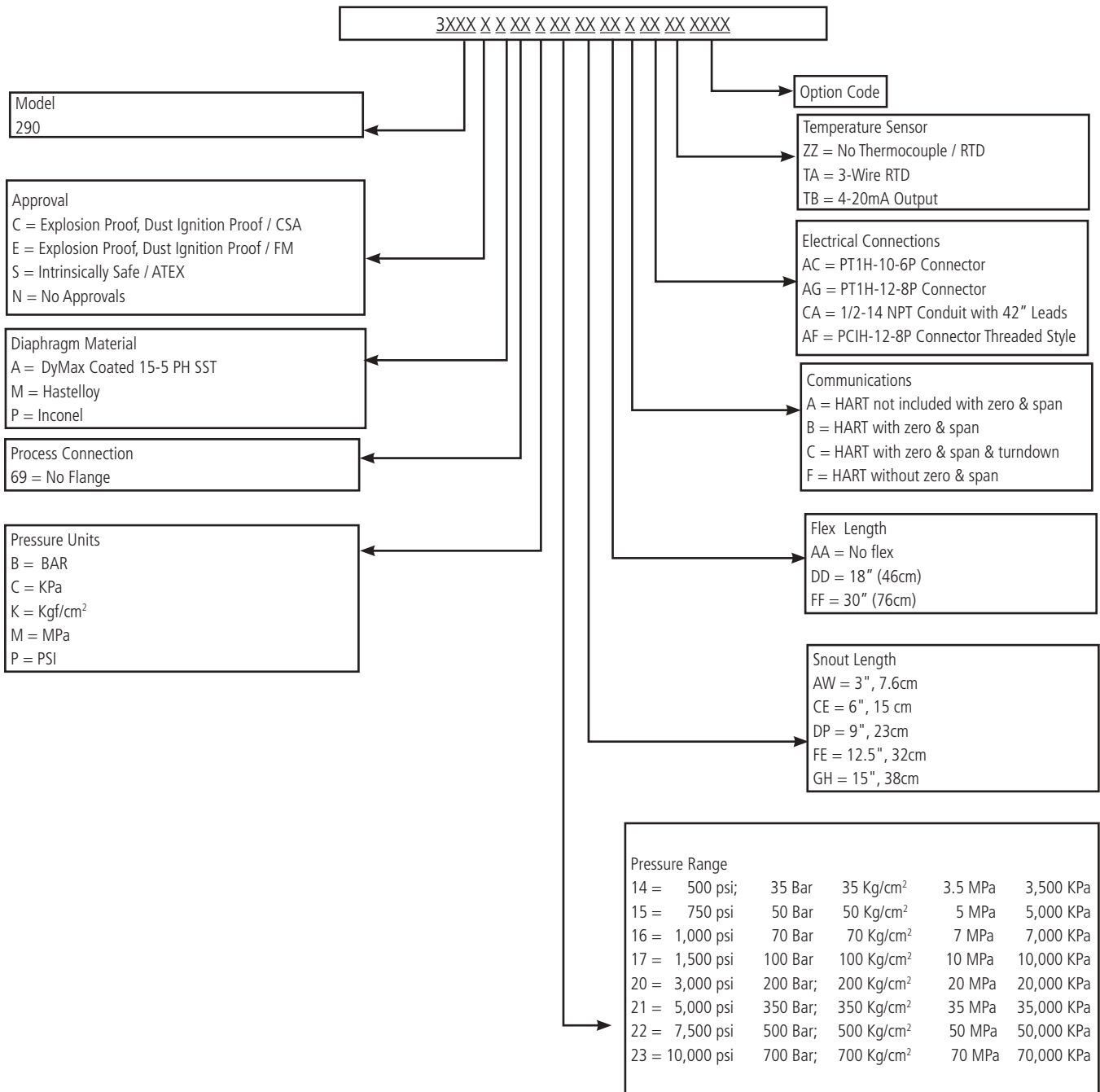
¹ Other configurations are available. Please consult factory.

Ordering Guide for Models SPX3343¹



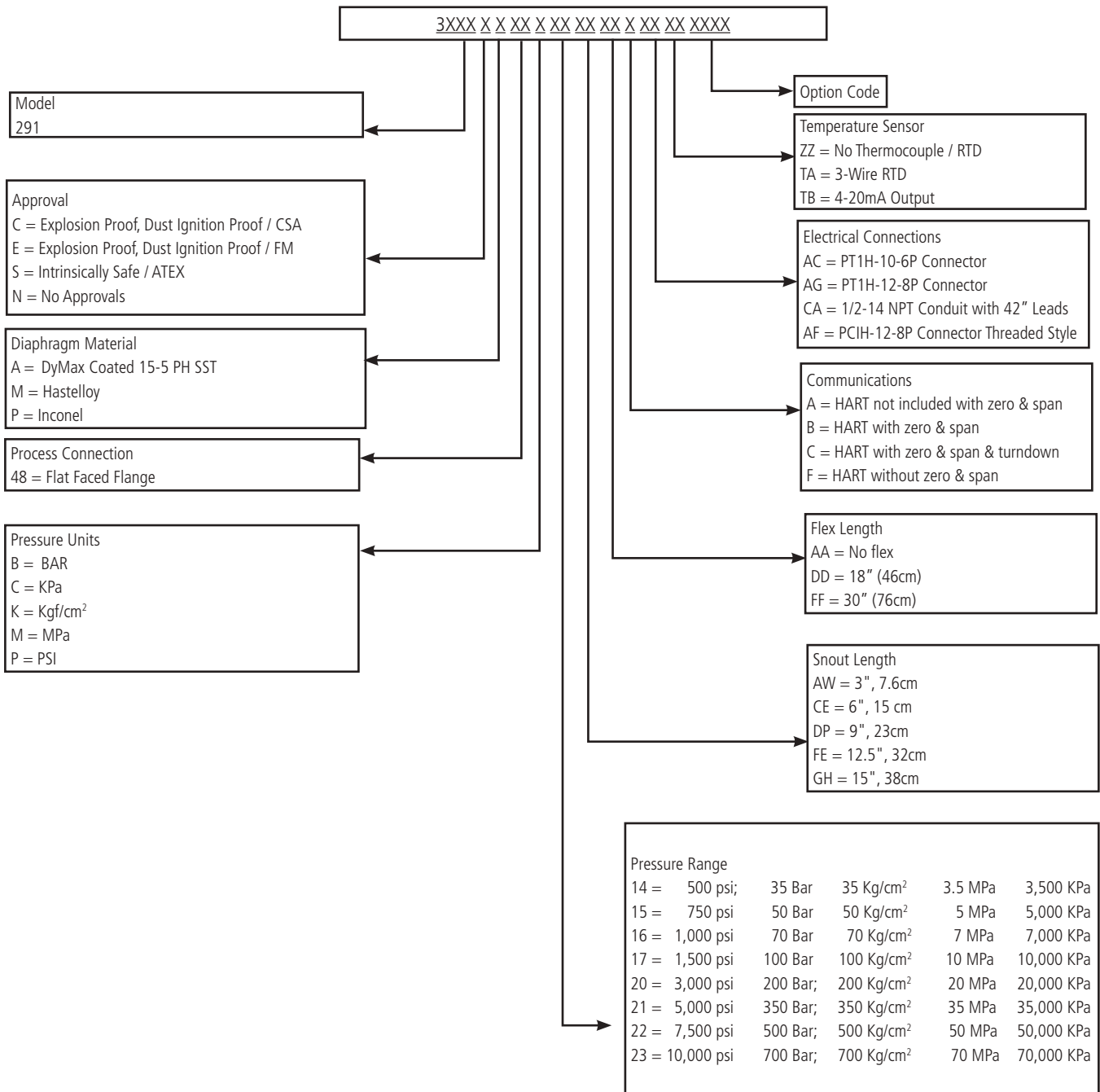
¹ Other configurations are available. Please consult factory.

Ordering Guide for Models SPX3290¹



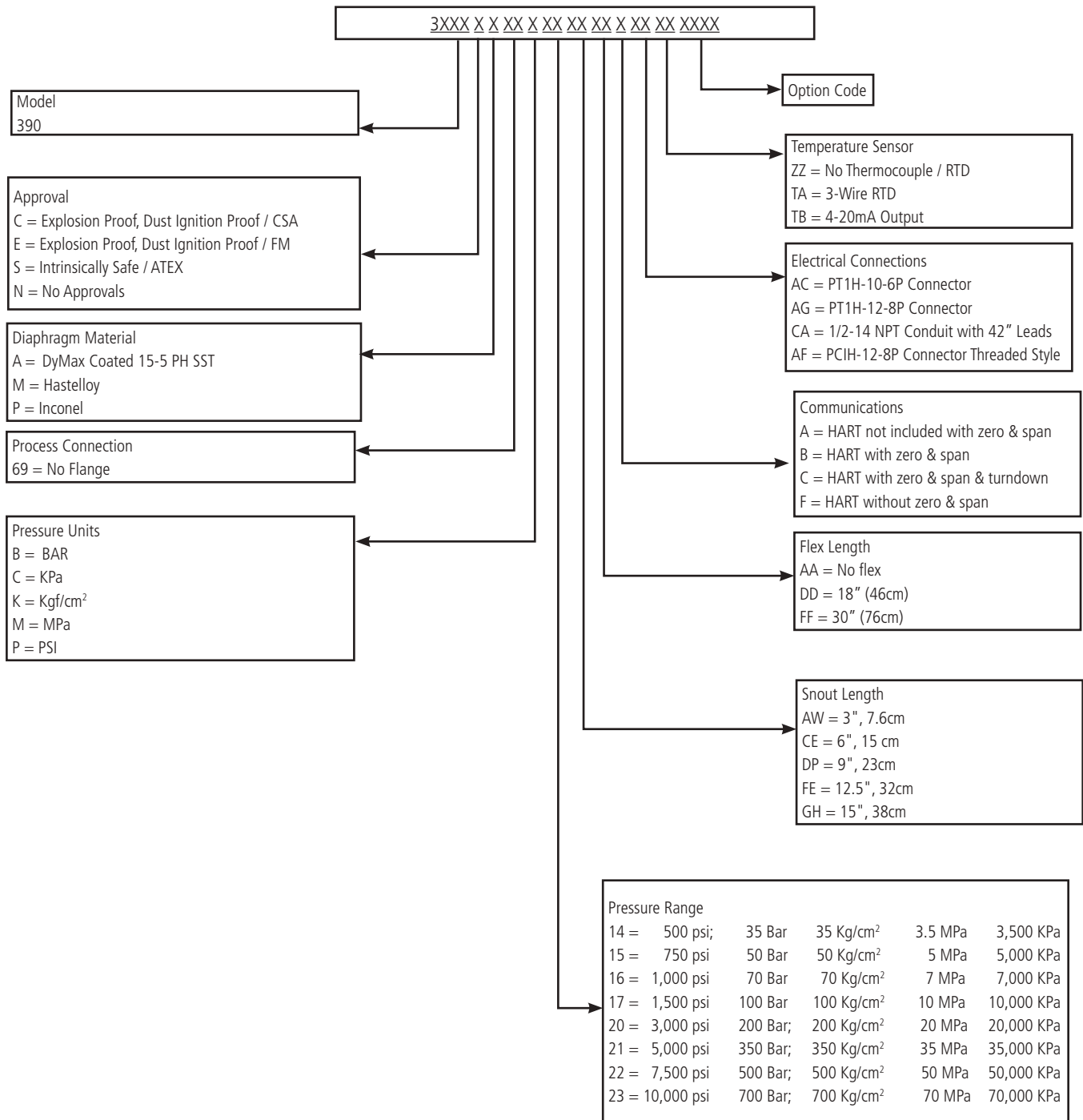
¹ Other configurations are available. Please consult factory.

Ordering Guide for Models SPX3291¹



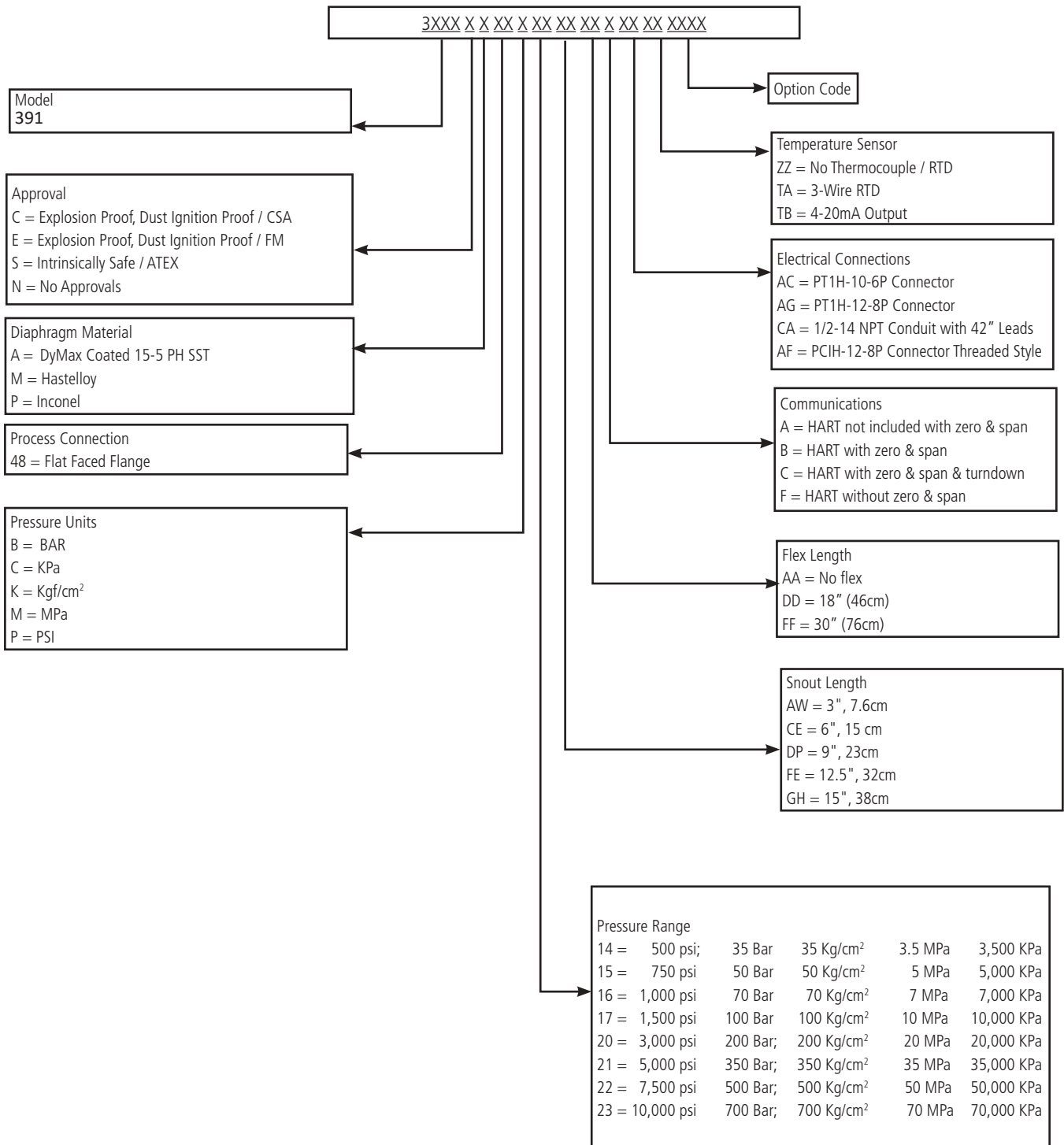
¹ Other configurations are available. Please consult factory.

Ordering Guide for Models SPX3390¹



¹ Other configurations are available. Please consult factory.

Ordering Guide for Models SPX3391¹



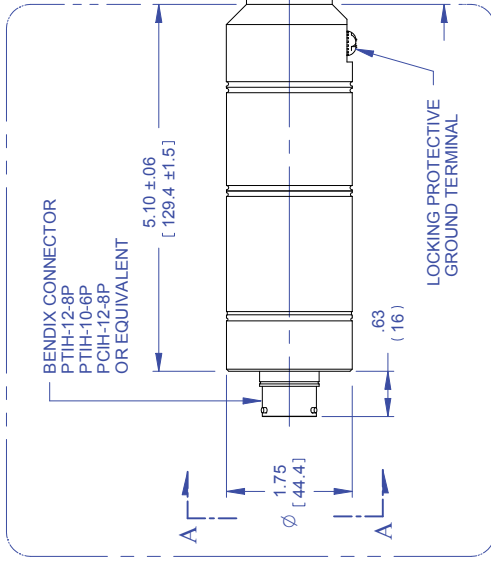
¹ Other configurations are available. Please consult factory.

REV	ECO	BY	APP	DATE
C	46553	TP	LEB	07/29/16

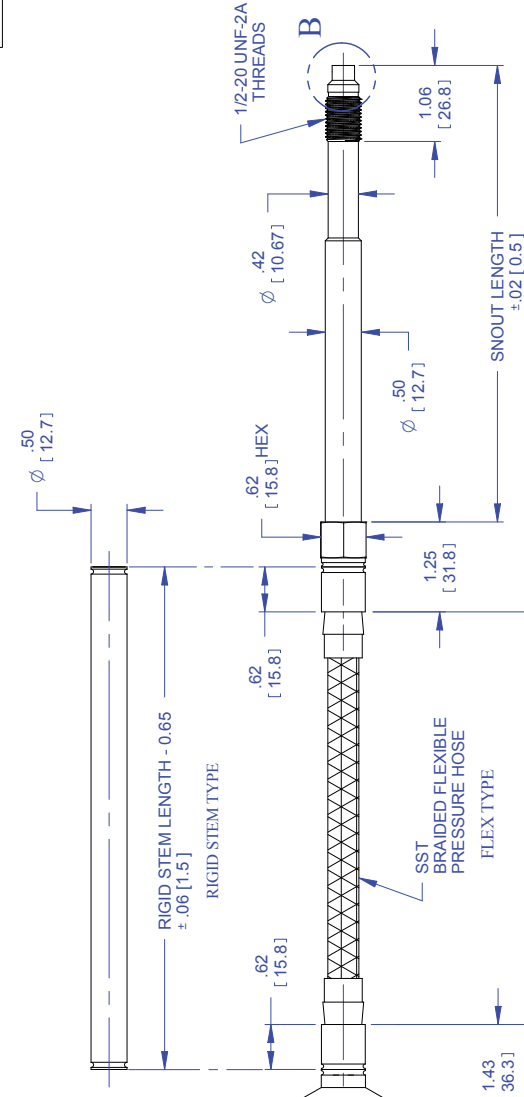
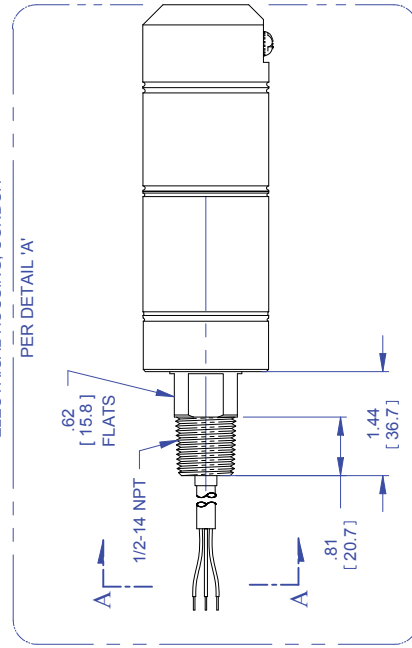
642001

DETAIL 'A'

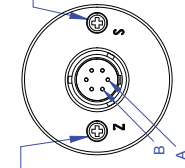
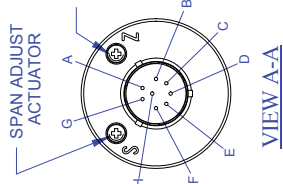
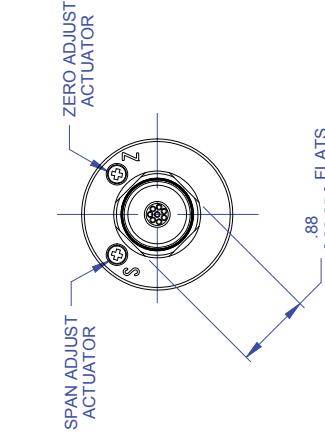
ELECTRICAL HOUSING, CONNECTOR



ELECTRICAL HOUSING, CONDUIT
PER DETAIL 'A'



ZERO AND SPAN ADJUSTERS ARE PROTECTED BY SEAL SCREWS



NOTES:

- ALL DIMENSIONS ARE INCHES [MILLIMETERS]
- EXPOSED SURFACES ARE STAINLESS STEEL.

DETAIL 'B'

TITLE		DRAWN		DATE	
SPX-T 3342 OUTLINE DWG		DRC		01/30/07	
CHECKED		APPROVED		DATE	
MIL		MIL		05/27/08	
FINISH		FINISH		63	
MATERIAL		MODEL NO.		SCALE	
DO NOT SCALE DRAWING		SPX-T		NONE	
REV		DWC NO.		SHEET	
C		642001		1 OF 1	

EXCEPT AS MAY BE OTHERWISE PROVIDED BY CONTRACT, THESE DRAWINGS AND SPECIFICATIONS SHALL BE THE PROPERTY OF DYNISCO AND SHALL NOT BE REPRODUCED OR TRANSMITTED IN ANY FORM OR BY ANY MEANS FOR THE MANUFACTURE OR SALE OF APPARATUS WITHOUT PERMISSION.

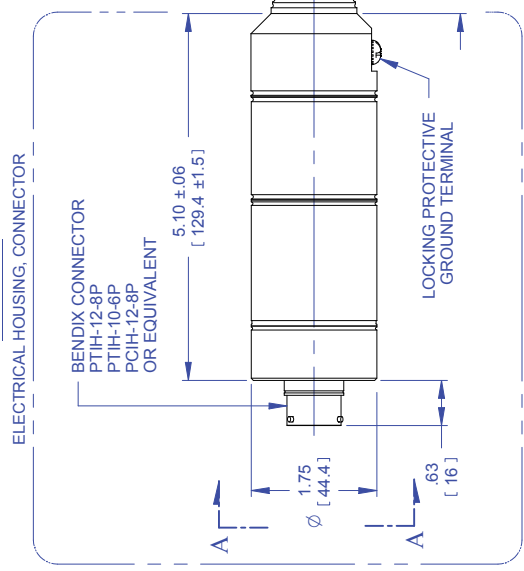


FORGE INNOVATION TRANSFORMING

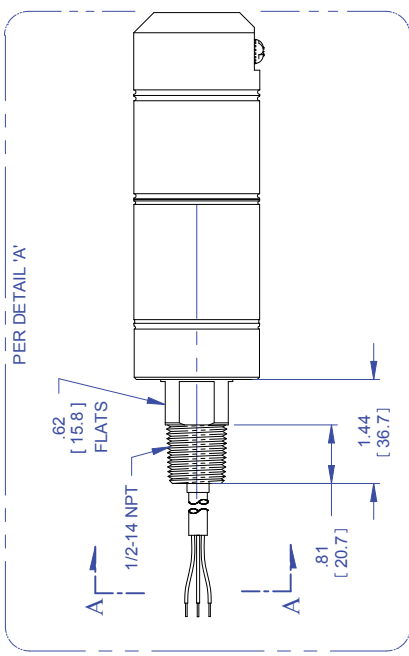
REV	ECO	BY	APP	DATE
C	46553	TP	LEB	07/29/16 R

643001

DETAIL 'A'

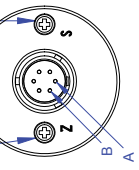


PER DETAIL 'A'



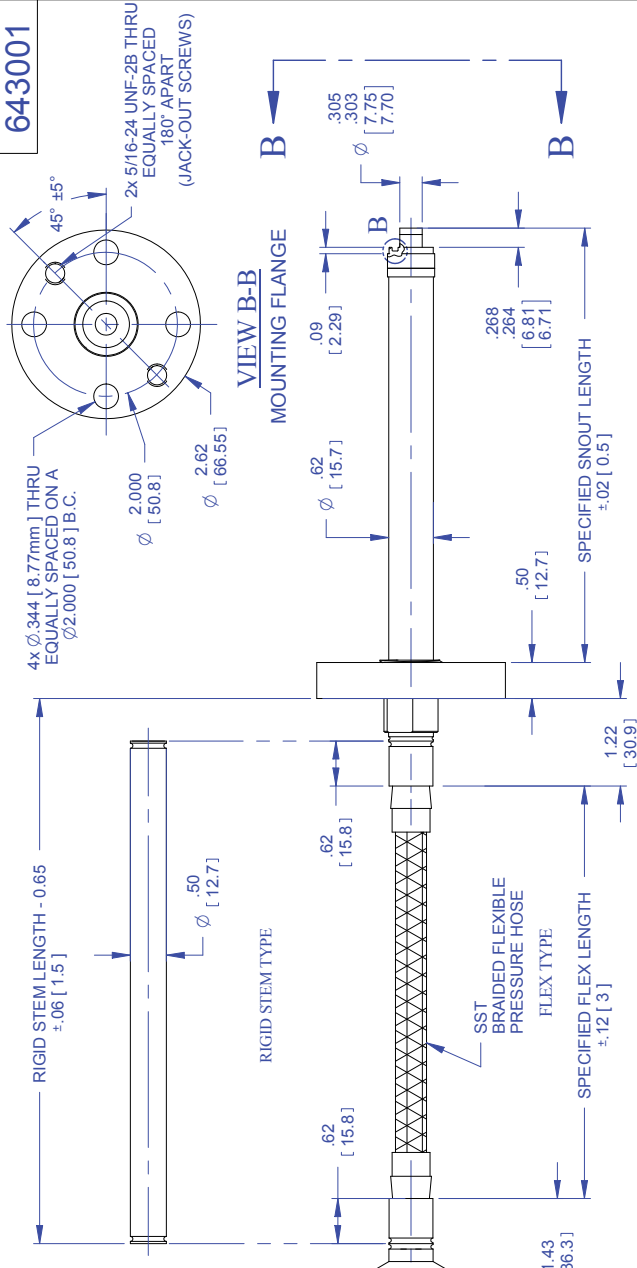
ZERO AND SPAN ADJUSTS ARE PROTECTED BY SEAL SCREWS

ZERO ADJUST ACCESS

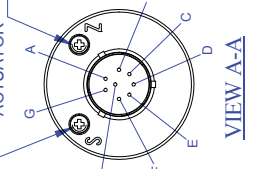


VIEW A-A

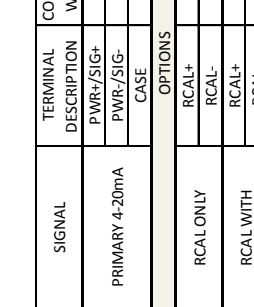
- NOTES:
- ALL DIMENSIONS ARE INCHES [MILLIMETERS]
 - EXPOSED SURFACES ARE STAINLESS STEEL.



VIEW A-A



VIEW A-A



DETAIL 'B'
O-RING GROOVE
GROOVE FOR 1/2 NOM O.D. VENTED METAL O-RING, (SILVER PLATED)
DYNISCO PIN 652116

SIGNAL	TERMINAL DESCRIPTION	WIRE COLOR	CONDUIT-LEAD												
			6-PIN	8-PIN	OPTIONS										
PRIMARY 4-20mA	PWR+/SIG+	RED	A	A											
	PWR-/SIG-	BLACK	B	B											
	CASE	GREEN	-	-											
SECONDARY 4-20mA ONLY	RCAL+	ORANGE	F	E											
	RCAL-	BLUE	E	D											
	RCAL+	ORANGE	-	E											
	RCAL-	BLUE	-	D											
SECONDARY 4-20mA ONLY	2ND PWR+/SIG+	VIOLET	-	G											
	2ND PWR-/SIG-	YELLOW	-	H											
	2ND PWR+/SIG+	VIOLET	-	G											
DUAL RTD ONLY	2ND PWR-/SIG-	YELLOW	-	H											
	RTD (-)	WHITE	-	D											
	RTD (+)	GREY	-	E											
	RTD (+)	BROWN	-	F											

1. UNLESS OTHERWISE SPECIFIED:
 1. 1/2 INCH SERIAL 3.00
 2. 1/4 INCH SERIAL 1.00
 3. 1/8 INCH SERIAL .500
 4. 1/16 INCH SERIAL .0625
 5. 1/32 INCH SERIAL .03125
 6. 1/64 INCH SERIAL .015625
 7. 1/128 INCH SERIAL .0078125
 8. 1/256 INCH SERIAL .00390625
 9. 1/512 INCH SERIAL .001953125
 10. 1/1024 INCH SERIAL .0009765625

TITLE
SPX-T 3343
OUTLINE DWG

MODEL NO.	SPX-T
DRAWN	DRC
CHECKED	DATE
APPROVED	MIL
FINISH	63

DATE	01/30/07
DATE	5/27/08
DATE	5/27/08
DATE	5/27/08

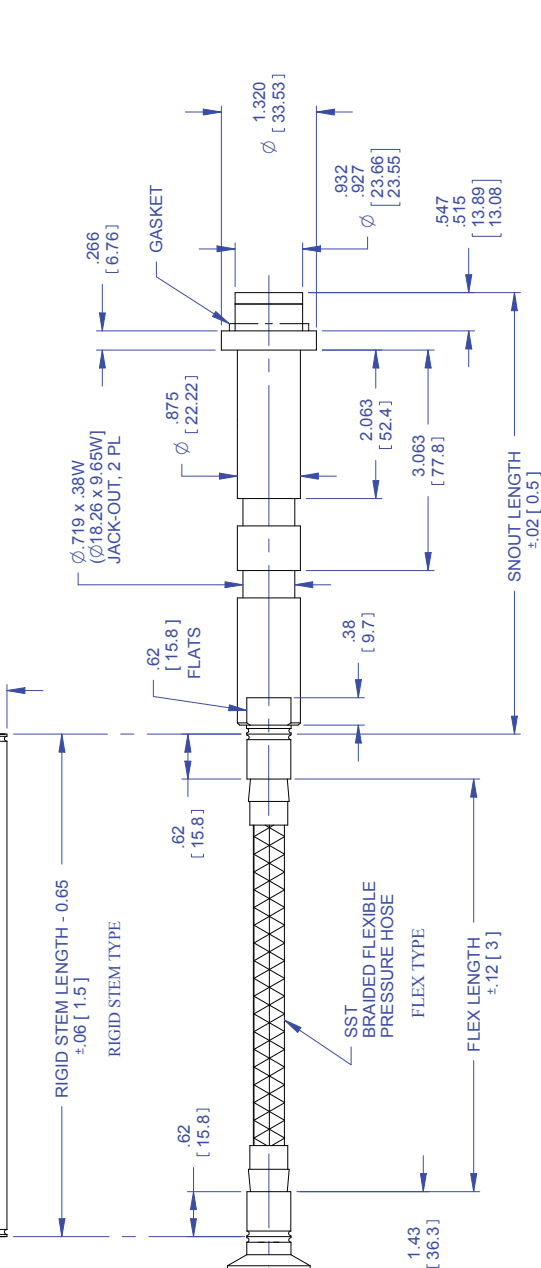
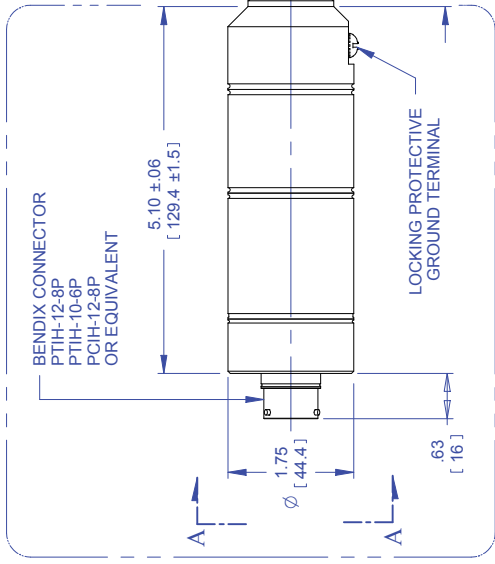
SIZE	C
SCALE	NONE
SHEET	1 OF 1



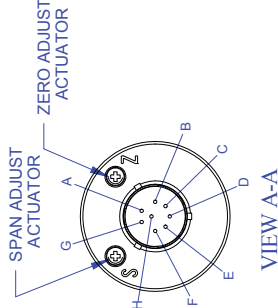
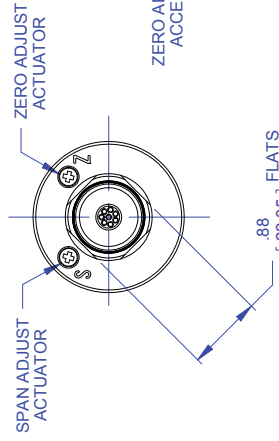
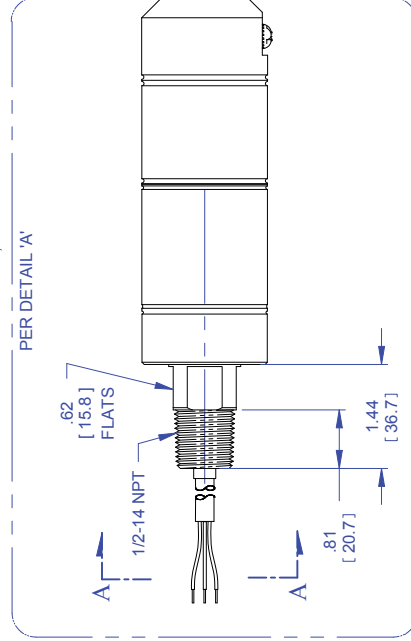
EXCEPT AS MAY BE OTHERWISE PROVIDED BY CONTRACT, THESE DRAWINGS AND SPECIFICATIONS SHALL BE THE PROPERTY OF DYNISCO AND SHALL NOT BE REPRODUCED OR TRANSMITTED IN ANY FORM OR BY ANY MEANS, ELECTRONIC OR MECHANICAL, FOR THE MANUFACTURE OR SALE OF APPARATUS WITHOUT PERMISSION.

DETAIL 'A'

ELECTRICAL HOUSING, CONNECTOR



ELECTRICAL HOUSING, CONDUIT



SIGNAL	TERMINAL DESCRIPTION	CONDUIT-LEAD WIRE COLOR	6-PIN 8-PIN
PRIMARY 4-20mA	PWR+/SIG+	RED	A A
	PWR-/SIG-	BLACK	B B
	CASE	GREEN	- -
OPTIONS			
RCAL ONLY	RCAL+	ORANGE	F E
	RCAL-	BLUE	E D
RCAL WITH SECONDARY 4-20mA ONLY	RCAL+	ORANGE	- E
	RCAL-	BLUE	- D
	2ND PWR+/SIG+	VIOLET	- G
SECONDARY 4-20mA ONLY	2ND PWR-/SIG-	YELLOW	- H
	2ND PWR+/SIG+	VIOLET	- G
	2ND PWR-/SIG-	YELLOW	- H
DUAL RTD ONLY	RTD (-)	WHITE	- D
	RTD (+)	GREY	- E
	RTD (+)	BROWN	- F

NOTES:
1. ALL DIMENSIONS ARE INCHES [MILLIMETERS]
2. EXPOSED SURFACES ARE STAINLESS STEEL.

1. UNLESS OTHERWISE SPECIFIED:
2. UNLESS OTHERWISE SPECIFIED:
3. PLACE ORDER IN 100'S
4. ORDER IN 100'S
5. ORDER IN 100'S
6. ORDER IN 100'S
7. ORDER IN 100'S
8. ORDER IN 100'S

TITLE
SPX-T 3390
OUTLINE DWG

DATE 05/01/08
DATE 05/20/08
DATE 05/20/08

SCALE NONE SHEET 1 OF 1



FORCE MAJORWAY TRADING SA

SIZE DIVC. NO. REV

C 690001 C

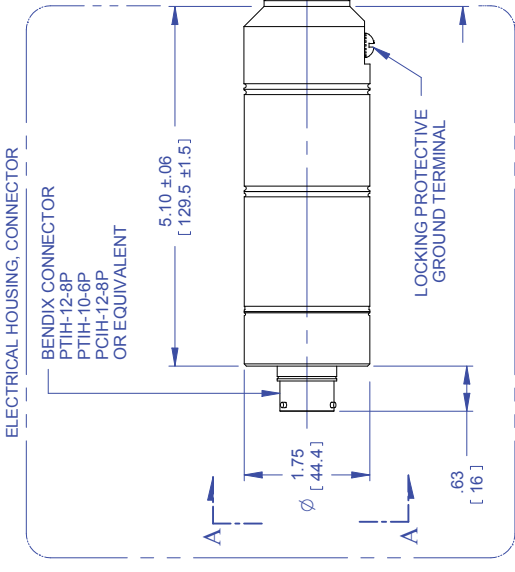
DO NOT SCALE DRAWING

FINISH 63

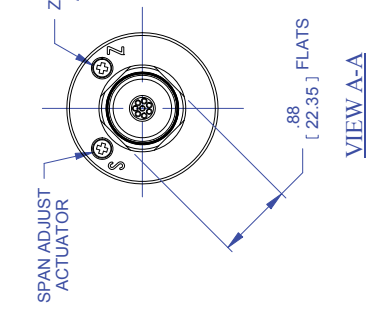
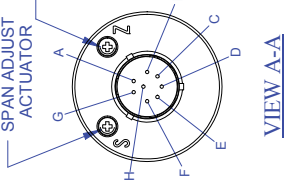
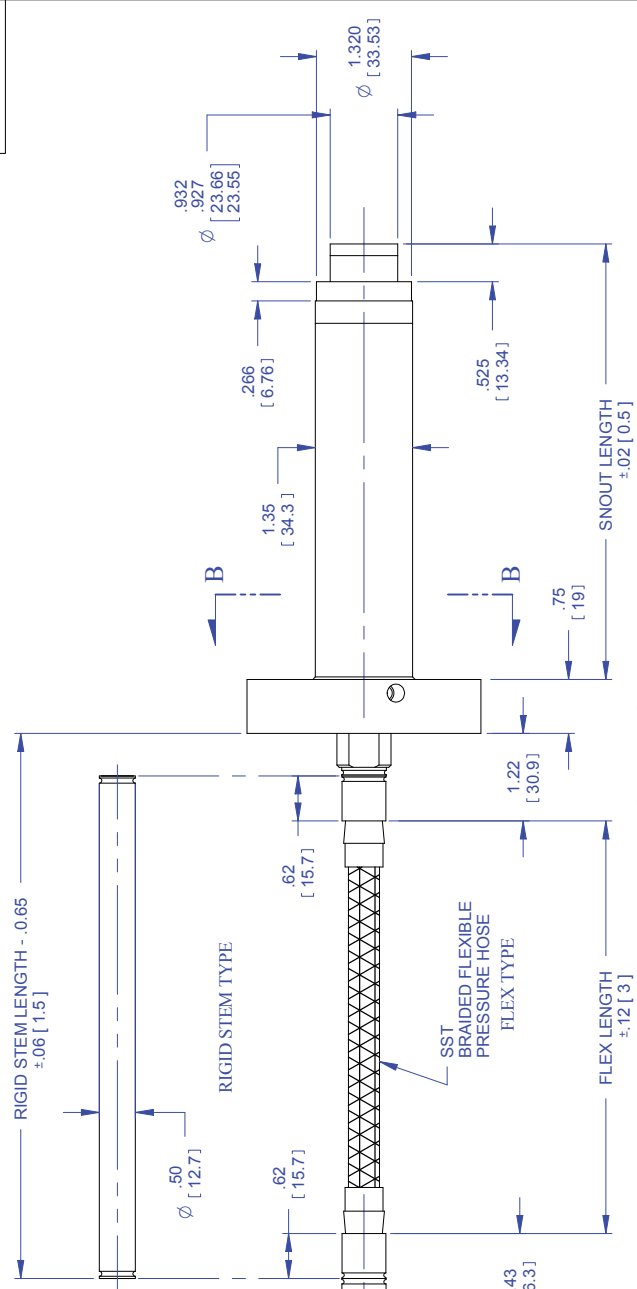
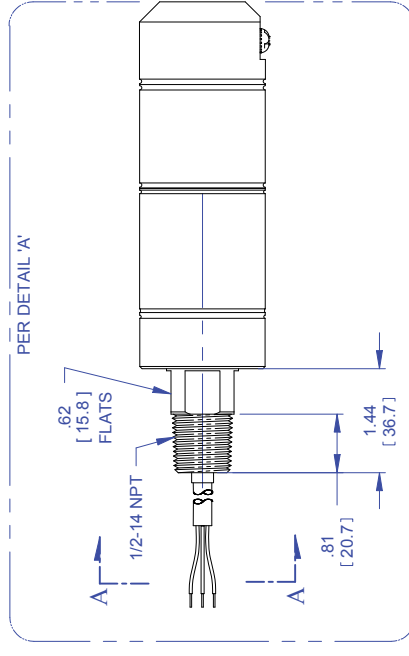
REV	ECO	BY	APP	DATE
C	46553	TP	LEB	07/29/16 R

691001

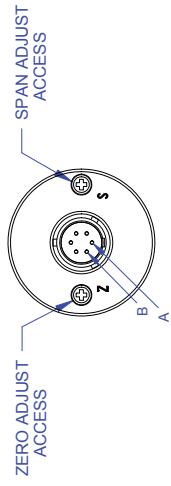
DETAIL 'A'



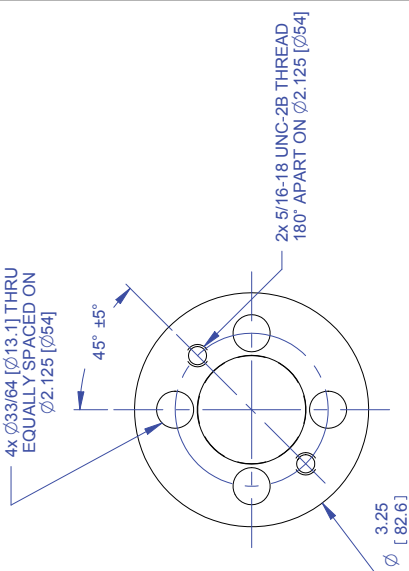
PER DETAIL 'A'



SIGNAL	TERMINAL DESCRIPTION	CONDUIT-LEAD WIRE COLOR	6-PIN 8-PIN
PRIMARY 4-20mA	PWR+/SIG+	RED	A
	PWR-/SIG-	BLACK	B
	CASE	GREEN	-
OPTIONS			
RCAL ONLY	RCAL+	ORANGE	F
	RCAL-	BLUE	E
RCAL WITH SECONDARY 4-20mA ONLY	RCAL+	ORANGE	-
	RCAL-	BLUE	-
	2ND PWR+/SIG+	VIOLET	G
	2ND PWR-/SIG-	YELLOW	H
SECONDARY 4-20mA ONLY	2ND PWR+/SIG+	VIOLET	-
	2ND PWR-/SIG-	YELLOW	-
DUAL RTD ONLY	RTD (-)	WHITE	-
	RTD (+)	GREY	-
	RTD (+)	BROWN	-



VIEW B-B MOUNTING FLANGE 'S1'



1. UNLESS OTHERWISE SPECIFIED:
 1. 1/2 FLAT
 2. 3 FLAT
 3. 4 FLAT
 4. 6 FLAT
 5. 8 FLAT
 6. 10 FLAT
 7. 12 FLAT
 8. 14 FLAT
 9. 16 FLAT
 10. 18 FLAT
 11. 20 FLAT
 12. 22 FLAT
 13. 24 FLAT
 14. 26 FLAT
 15. 28 FLAT
 16. 30 FLAT
 17. 32 FLAT
 18. 34 FLAT
 19. 36 FLAT
 20. 38 FLAT
 21. 40 FLAT
 22. 42 FLAT
 23. 44 FLAT
 24. 46 FLAT
 25. 48 FLAT
 26. 50 FLAT
 27. 52 FLAT
 28. 54 FLAT
 29. 56 FLAT
 30. 58 FLAT
 31. 60 FLAT
 32. 62 FLAT
 33. 64 FLAT
 34. 66 FLAT
 35. 68 FLAT
 36. 70 FLAT
 37. 72 FLAT
 38. 74 FLAT
 39. 76 FLAT
 40. 78 FLAT
 41. 80 FLAT
 42. 82 FLAT
 43. 84 FLAT
 44. 86 FLAT
 45. 88 FLAT
 46. 90 FLAT
 47. 92 FLAT
 48. 94 FLAT
 49. 96 FLAT
 50. 98 FLAT
 51. 100 FLAT
 52. 102 FLAT
 53. 104 FLAT
 54. 106 FLAT
 55. 108 FLAT
 56. 110 FLAT
 57. 112 FLAT
 58. 114 FLAT
 59. 116 FLAT
 60. 118 FLAT
 61. 120 FLAT
 62. 122 FLAT
 63. 124 FLAT
 64. 126 FLAT
 65. 128 FLAT
 66. 130 FLAT
 67. 132 FLAT
 68. 134 FLAT
 69. 136 FLAT
 70. 138 FLAT
 71. 140 FLAT
 72. 142 FLAT
 73. 144 FLAT
 74. 146 FLAT
 75. 148 FLAT
 76. 150 FLAT
 77. 152 FLAT
 78. 154 FLAT
 79. 156 FLAT
 80. 158 FLAT
 81. 160 FLAT
 82. 162 FLAT
 83. 164 FLAT
 84. 166 FLAT
 85. 168 FLAT
 86. 170 FLAT
 87. 172 FLAT
 88. 174 FLAT
 89. 176 FLAT
 90. 178 FLAT
 91. 180 FLAT
 92. 182 FLAT
 93. 184 FLAT
 94. 186 FLAT
 95. 188 FLAT
 96. 190 FLAT
 97. 192 FLAT
 98. 194 FLAT
 99. 196 FLAT
 100. 198 FLAT
 101. 200 FLAT
 102. 202 FLAT
 103. 204 FLAT
 104. 206 FLAT
 105. 208 FLAT
 106. 210 FLAT
 107. 212 FLAT
 108. 214 FLAT
 109. 216 FLAT
 110. 218 FLAT
 111. 220 FLAT
 112. 222 FLAT
 113. 224 FLAT
 114. 226 FLAT
 115. 228 FLAT
 116. 230 FLAT
 117. 232 FLAT
 118. 234 FLAT
 119. 236 FLAT
 120. 238 FLAT
 121. 240 FLAT
 122. 242 FLAT
 123. 244 FLAT
 124. 246 FLAT
 125. 248 FLAT
 126. 250 FLAT
 127. 252 FLAT
 128. 254 FLAT
 129. 256 FLAT
 130. 258 FLAT
 131. 260 FLAT
 132. 262 FLAT
 133. 264 FLAT
 134. 266 FLAT
 135. 268 FLAT
 136. 270 FLAT
 137. 272 FLAT
 138. 274 FLAT
 139. 276 FLAT
 140. 278 FLAT
 141. 280 FLAT
 142. 282 FLAT
 143. 284 FLAT
 144. 286 FLAT
 145. 288 FLAT
 146. 290 FLAT
 147. 292 FLAT
 148. 294 FLAT
 149. 296 FLAT
 150. 298 FLAT
 151. 300 FLAT
 152. 302 FLAT
 153. 304 FLAT
 154. 306 FLAT
 155. 308 FLAT
 156. 310 FLAT
 157. 312 FLAT
 158. 314 FLAT
 159. 316 FLAT
 160. 318 FLAT
 161. 320 FLAT
 162. 322 FLAT
 163. 324 FLAT
 164. 326 FLAT
 165. 328 FLAT
 166. 330 FLAT
 167. 332 FLAT
 168. 334 FLAT
 169. 336 FLAT
 170. 338 FLAT
 171. 340 FLAT
 172. 342 FLAT
 173. 344 FLAT
 174. 346 FLAT
 175. 348 FLAT
 176. 350 FLAT
 177. 352 FLAT
 178. 354 FLAT
 179. 356 FLAT
 180. 358 FLAT
 181. 360 FLAT
 182. 362 FLAT
 183. 364 FLAT
 184. 366 FLAT
 185. 368 FLAT
 186. 370 FLAT
 187. 372 FLAT
 188. 374 FLAT
 189. 376 FLAT
 190. 378 FLAT
 191. 380 FLAT
 192. 382 FLAT
 193. 384 FLAT
 194. 386 FLAT
 195. 388 FLAT
 196. 390 FLAT
 197. 392 FLAT
 198. 394 FLAT
 199. 396 FLAT
 200. 398 FLAT
 201. 400 FLAT
 202. 402 FLAT
 203. 404 FLAT
 204. 406 FLAT
 205. 408 FLAT
 206. 410 FLAT
 207. 412 FLAT
 208. 414 FLAT
 209. 416 FLAT
 210. 418 FLAT
 211. 420 FLAT
 212. 422 FLAT
 213. 424 FLAT
 214. 426 FLAT
 215. 428 FLAT
 216. 430 FLAT
 217. 432 FLAT
 218. 434 FLAT
 219. 436 FLAT
 220. 438 FLAT
 221. 440 FLAT
 222. 442 FLAT
 223. 444 FLAT
 224. 446 FLAT
 225. 448 FLAT
 226. 450 FLAT
 227. 452 FLAT
 228. 454 FLAT
 229. 456 FLAT
 230. 458 FLAT
 231. 460 FLAT
 232. 462 FLAT
 233. 464 FLAT
 234. 466 FLAT
 235. 468 FLAT
 236. 470 FLAT
 237. 472 FLAT
 238. 474 FLAT
 239. 476 FLAT
 240. 478 FLAT
 241. 480 FLAT
 242. 482 FLAT
 243. 484 FLAT
 244. 486 FLAT
 245. 488 FLAT
 246. 490 FLAT
 247. 492 FLAT
 248. 494 FLAT
 249. 496 FLAT
 250. 498 FLAT
 251. 500 FLAT
 252. 502 FLAT
 253. 504 FLAT
 254. 506 FLAT
 255. 508 FLAT
 256. 510 FLAT
 257. 512 FLAT
 258. 514 FLAT
 259. 516 FLAT
 260. 518 FLAT
 261. 520 FLAT
 262. 522 FLAT
 263. 524 FLAT
 264. 526 FLAT
 265. 528 FLAT
 266. 530 FLAT
 267. 532 FLAT
 268. 534 FLAT
 269. 536 FLAT
 270. 538 FLAT
 271. 540 FLAT
 272. 542 FLAT
 273. 544 FLAT
 274. 546 FLAT
 275. 548 FLAT
 276. 550 FLAT
 277. 552 FLAT
 278. 554 FLAT
 279. 556 FLAT
 280. 558 FLAT
 281. 560 FLAT
 282. 562 FLAT
 283. 564 FLAT
 284. 566 FLAT
 285. 568 FLAT
 286. 570 FLAT
 287. 572 FLAT
 288. 574 FLAT
 289. 576 FLAT
 290. 578 FLAT
 291. 580 FLAT
 292. 582 FLAT
 293. 584 FLAT
 294. 586 FLAT
 295. 588 FLAT
 296. 590 FLAT
 297. 592 FLAT
 298. 594 FLAT
 299. 596 FLAT
 300. 598 FLAT
 301. 600 FLAT
 302. 602 FLAT
 303. 604 FLAT
 304. 606 FLAT
 305. 608 FLAT
 306. 610 FLAT
 307. 612 FLAT
 308. 614 FLAT
 309. 616 FLAT
 310. 618 FLAT
 311. 620 FLAT
 312. 622 FLAT
 313. 624 FLAT
 314. 626 FLAT
 315. 628 FLAT
 316. 630 FLAT
 317. 632 FLAT
 318. 634 FLAT
 319. 636 FLAT
 320. 638 FLAT
 321. 640 FLAT
 322. 642 FLAT
 323. 644 FLAT
 324. 646 FLAT
 325. 648 FLAT
 326. 650 FLAT
 327. 652 FLAT
 328. 654 FLAT
 329. 656 FLAT
 330. 658 FLAT
 331. 660 FLAT
 332. 662 FLAT
 333. 664 FLAT
 334. 666 FLAT
 335. 668 FLAT
 336. 670 FLAT
 337. 672 FLAT
 338. 674 FLAT
 339. 676 FLAT
 340. 678 FLAT
 341. 680 FLAT
 342. 682 FLAT
 343. 684 FLAT
 344. 686 FLAT
 345. 688 FLAT
 346. 690 FLAT
 347. 692 FLAT
 348. 694 FLAT
 349. 696 FLAT
 350. 698 FLAT
 351. 700 FLAT
 352. 702 FLAT
 353. 704 FLAT
 354. 706 FLAT
 355. 708 FLAT
 356. 710 FLAT
 357. 712 FLAT
 358. 714 FLAT
 359. 716 FLAT
 360. 718 FLAT
 361. 720 FLAT
 362. 722 FLAT
 363. 724 FLAT
 364. 726 FLAT
 365. 728 FLAT
 366. 730 FLAT
 367. 732 FLAT
 368. 734 FLAT
 369. 736 FLAT
 370. 738 FLAT
 371. 740 FLAT
 372. 742 FLAT
 373. 744 FLAT
 374. 746 FLAT
 375. 748 FLAT
 376. 750 FLAT
 377. 752 FLAT
 378. 754 FLAT
 379. 756 FLAT
 380. 758 FLAT
 381. 760 FLAT
 382. 762 FLAT
 383. 764 FLAT
 384. 766 FLAT
 385. 768 FLAT
 386. 770 FLAT
 387. 772 FLAT
 388. 774 FLAT
 389. 776 FLAT
 390. 778 FLAT
 391. 780 FLAT
 392. 782 FLAT
 393. 784 FLAT
 394. 786 FLAT
 395. 788 FLAT
 396. 790 FLAT
 397. 792 FLAT
 398. 794 FLAT
 399. 796 FLAT
 400. 798 FLAT
 401. 800 FLAT
 402. 802 FLAT
 403. 804 FLAT
 404. 806 FLAT
 405. 808 FLAT
 406. 810 FLAT
 407. 812 FLAT
 408. 814 FLAT
 409. 816 FLAT
 410. 818 FLAT
 411. 820 FLAT
 412. 822 FLAT
 413. 824 FLAT
 414. 826 FLAT
 415. 828 FLAT
 416. 830 FLAT
 417. 832 FLAT
 418. 834 FLAT
 419. 836 FLAT
 420. 838 FLAT
 421. 840 FLAT
 422. 842 FLAT
 423. 844 FLAT
 424. 846 FLAT
 425. 848 FLAT
 426. 850 FLAT
 427. 852 FLAT
 428. 854 FLAT
 429. 856 FLAT
 430. 858 FLAT
 431. 860 FLAT
 432. 862 FLAT
 433. 864 FLAT
 434. 866 FLAT
 435. 868 FLAT
 436. 870 FLAT
 437. 872 FLAT
 438. 874 FLAT
 439. 876 FLAT
 440. 878 FLAT
 441. 880 FLAT
 442. 882 FLAT
 443. 884 FLAT
 444. 886 FLAT
 445. 888 FLAT
 446. 890 FLAT
 447. 892 FLAT
 448. 894 FLAT
 449. 896 FLAT
 450. 898 FLAT
 451. 900 FLAT
 452. 902 FLAT
 453. 904 FLAT
 454. 906 FLAT
 455. 908 FLAT
 456. 910 FLAT
 457. 912 FLAT
 458. 914 FLAT
 459. 916 FLAT
 460. 918 FLAT
 461. 920 FLAT
 462. 922 FLAT
 463. 924 FLAT
 464. 926 FLAT
 465. 928 FLAT
 466. 930 FLAT
 467. 932 FLAT
 468. 934 FLAT
 469. 936 FLAT
 470. 938 FLAT
 471. 940 FLAT
 472. 942 FLAT
 473. 944 FLAT
 474. 946 FLAT
 475. 948 FLAT
 476. 950 FLAT
 477. 952 FLAT
 478. 954 FLAT
 479. 956 FLAT
 480. 958 FLAT
 481. 960 FLAT
 482. 962 FLAT
 483. 964 FLAT
 484. 966 FLAT
 485. 968 FLAT
 486. 970 FLAT
 487. 972 FLAT
 488. 974 FLAT
 489. 976 FLAT
 490. 978 FLAT
 491. 980 FLAT
 492. 982 FLAT
 493. 984 FLAT
 494. 986 FLAT
 495. 988 FLAT
 496. 990 FLAT
 497. 992 FLAT
 498. 994 FLAT
 499. 996 FLAT
 500. 998 FLAT
 501. 1000 FLAT

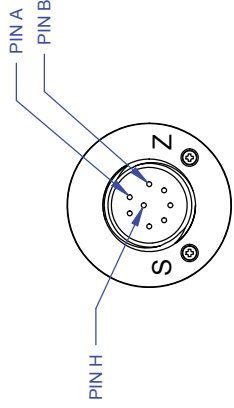
NOTES:
 1. ALL DIMENSIONS ARE INCHES [MILLIMETERS]
 2. EXPOSED SURFACES ARE STAINLESS STEEL.

EXCEPT AS MAY BE OTHERWISE PROVIDED BY CONTRACT, THESE DRAWINGS AND SPECIFICATIONS SHALL BE THE PROPERTY OF DYNISCO AND SHALL NOT BE REPRODUCED OR TRANSMITTED IN ANY FORM OR BY ANY MEANS, WITHOUT PERMISSION.	
Dynisco	
FORCE MAJEURE TRAINING, ILLINOIS	
SIZE	DWG. NO.
C	691001
REV	C
SCALE NONE SHEET 1 OF 1	

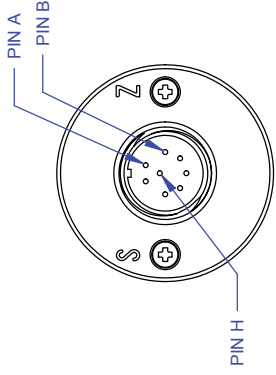
TITLE		DRAWN		DATE	
SPX-T 3391 OUTLINE DWG		DRC		01/30/07	
CHECKED		DATE		DATE	
APPROVED		MIL		DATE	
FINISH		63		DATE	
MODEL NO.		SPX-T		DO NOT SCALE DRAWING	
MATERIAL					

REV	ECO	BY	APP	DATE
A	46553	TP	LEB	07/29/16 R

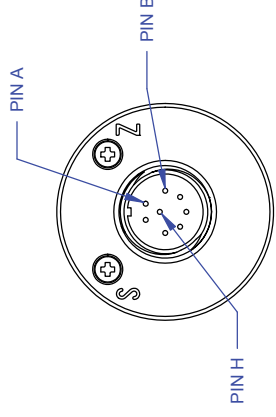
000652



8 - PIN PC
O-RING WITH PUSH BUTTONS
PCIH-12-8P



8 - PIN PC
WELDED WITH PUSH BUTTONS
PCIH-12-8P



8 - PIN PC
WELDED WITH HALLS
PCIH-12-8P

GUARDIAN CONNECTOR WIRING	
PIN	FUNCTION
A	POWER +
B	SIGNAL -
C	POWER -
D	NO CONNECTION
E	Rcal -
F	Rcal +
G	RELAY CONTACT
H	RELAY CONTACT

NOTE:
1. THESE CONNECTOR OPTIONS ARE AVAILABLE ON MOST OF THE CONFIGURATIONS SHOWN ON THE PREVIOUS SHEETS.

TOLERANCES UNLESS OTHERWISE SPECIFIED:
 1. 3 PLACE DECIMAL ± .005
 2. FRACTIONS ± 1/32
 3. DRILLS < 0.5 DIA. ± .002 > 0.5 DIA. ± .003
 4. ANGLES ± 0.5° MAX.
 5. EDGES R .006 OR CHAMFER MAX.
 6. PART TO BE FREE OF BURRS
 7. PART TO BE FREE OF BURRS
 8. ALL DIMENSIONS ARE IN INCHES.

TITLE		DATE	
GUARDIAN SERIES CONNECTORS		TP	7/27/16
DRAWN	CHECKED	DATE	DATE
LEB	LEB	7/27/16	7/27/16
APPROVED	APPROVED		
FINISH	FINISH	63	✓

EXCEPT AS MAY BE OTHERWISE PROVIDED BY CONTRACT, THESE DRAWINGS AND SPECIFICATIONS ARE THE PROPERTY OF DYNISCO. ANY REPRODUCTION, REPRODUCTION OR COPIED, OR USED AS THE BASIS FOR THE MANUFACTURE OR SALE OF APPARATUS WITHOUT PERMISSION.	
 FORCE PARKWAY, FRANKLIN, MA 01917 TEL: 978-376-2000 FAX: 978-376-2001 WWW.DYNISCO.COM	
SIZE	REV
B	A
DWG. NO.	SCALE
000652	NONE
SHEET 1 OF 1	

©2016. Dynisco reserves the right to make changes without notice.
Refer to www.dynisco.com for access to Operator Manual and other support documentation.
PN: DSSPX3SERIES
REV: 1116
ECO: 47068



www.dynisco.com



Dynisco

38 Forge Parkway
Franklin, MA 02038
USA

Hotline 1-800-Dynisco
www.dynisco.com
Phone +1 508 541 9400
Fax +1 508 541 6206
Email infoinst@dynisco.com

Dynisco Europe, GmbH

Pfaffemstr. 21 Phone +49 7131 297 0
74078 Hellbronn Fax +49 7131 297 166
Germany Email dyniscoeurope@dynisco.com

Dynisco Shanghai

Building 7A, No. 568 Phone +86 21 34074072-819
Longpan Rd Malu Toll Free +86 400 728 9117
Jiading, 201801 China Fax +86 21 34074025