

Female connector, field-attachable

V1-W-SC

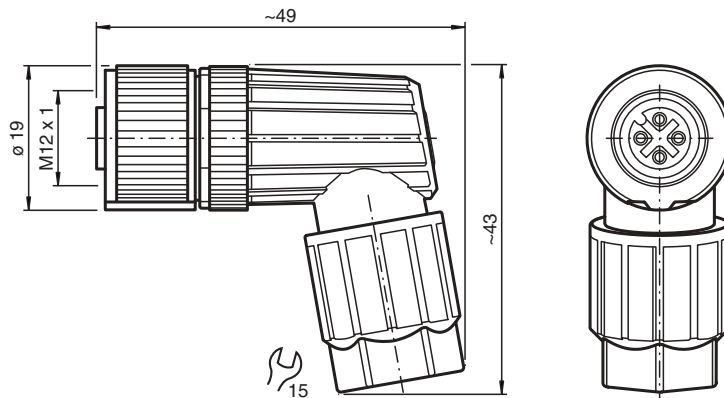


- Field-attachable
- Cage spring connection
- Metal locking
- Knurled nut suitable for tool assembly

Female connector M12 angled A-coded 4-pin, for cable diameter 4 - 8 mm, field-attachable, cage spring connection



Dimensions



Technical Data

General specifications			
Connector 1			
Connection		socket	
Construction type		M12	
Style		angled	
Locking		screw connection	
Number of pins		4	
Coding		A-coded	
Customization		Coding rotateable in steps of 45°	
Electrical specifications			
Operating voltage	U _B	max. 250 V AC/DC	
Operating current	I _B	max. 4 A	
Volume resistance		< 5 mΩ	
Insulation resistance		min. 100 MΩ	
Conformity			
Degree of protection		EN 60529	

Release date: 2023-05-31 Date of issue: 2023-05-31 Filename: 235990_eng.pdf

Refer to "General Notes Relating to Pepperl+Fuchs Product Information".

Pepperl+Fuchs Group
www.pepperl-fuchs.com

USA: +1 330 486 0001
fa-info@us.pepperl-fuchs.com

Germany: +49 621 776 1111
fa-info@de.pepperl-fuchs.com

Singapore: +65 6779 9091
fa-info@sg.pepperl-fuchs.com

Technical Data

Plug connection	connector M12 x 1 : IEC 61076-2-101
Ambient conditions	
Ambient temperature	-40 ... 85 °C (-40 ... 185 °F)
Pollution degree	3
Mechanical specifications	
Plug connector	
Tightening torque	0.4 Nm
Tool installation	straight knurling
Mating cycles	min. 100
Degree of protection	IP67
Connection	Cage spring connection
Cable	
Sheath diameter	4 ... 8 mm
Core cross section	0.14 ... 0.75 mm ² / 26 ... 18 AWG
Mass	22.6 g
Material	
Plug connector	
Screw connection	CuZn, nickel-plated
Body	PA, black
Seal	NBR
Contact surface	Ni/Au

Connection Assignment

