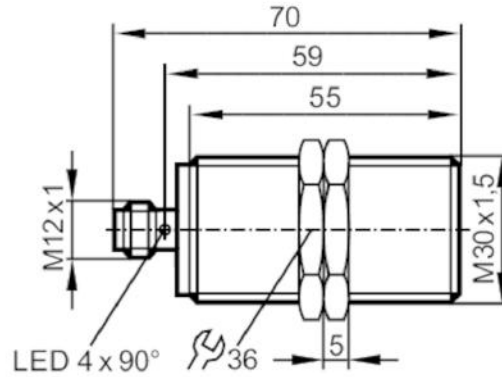




Inductive sensor

IIK2015BFRKG/2LED/US-104



Product characteristics

Electrical design	PNP/NPN
Output function	normally open / normally closed; (selectable)
Sensing range [mm]	15
Housing	threaded type
Dimensions [mm]	M30 x 1.5 / L = 70

Application

Special feature	Gold-plated contacts; Increased sensing range; Optical setting aid
Application	Industrial applications / factory automation

Electrical data

Operating voltage [V]	10...30 DC
Protection class	II
Reverse polarity protection	yes

Outputs

Electrical design	PNP/NPN
Output function	normally open / normally closed; (selectable)
Max. voltage drop switching output DC [V]	4.6
Minimum load current [mA]	4
Max. leakage current [mA]	1
Permanent current rating of switching output DC [mA]	100
Switching frequency DC [Hz]	100
Short-circuit protection	yes
Type of short-circuit protection	pulsed
Overload protection	yes

Detection zone


Sensing range [mm]	15
Operating distance [mm]	0...12.1
Increased sensing range	yes

II5860



Inductive sensor

IIK2015BFRKG/2LED/US-104

Accuracy / deviations		
Correction factor	steel: 1 / stainless steel: 0.7 / brass: 0.5 / aluminium: 0.5 / copper: 0.4	
Hysteresis	[% of Sr]	1...15
Operating conditions		
Ambient temperature	[°C]	-25...70
Protection		IP 67
Tests / approvals		
EMC	EN 61000-4-2 ESD	4 kV CD / 8 kV AD
	EN 61000-4-3 HF radiated	3 V/m
	EN 61000-4-4 Burst	2 kV
	EN 61000-4-6 HF conducted	3 V
	EN 55011	class B
MTTF	[years]	1424
Mechanical data		
Weight	[g]	160
Housing		threaded type
Mounting		flush mountable
Dimensions	[mm]	M30 x 1.5 / L = 70
Thread designation		M30 x 1.5
Materials		housing: brass white bronze coated; sensing face: PBT orange; LED window: PEI; lock nuts: brass white bronze coated
Tightening torque	[Nm]	50
Displays / operating elements		
Display	switching status	4 x 90° LED, yellow
	setting aid	1 x LED, red
Optical setting aid		yes
Accessories		
Items supplied		lock nuts: 2
Remarks		
Pack quantity		1 pcs.
Electrical connection - plug		
Connector: 1 x M12; coding: A; Contacts: gold-plated		
		

II5860



Inductive sensor

IIK2015BFRKG/2LED/US-104

Connection

