

Com Unit for MODBUS TCP

LB8111A2-0756

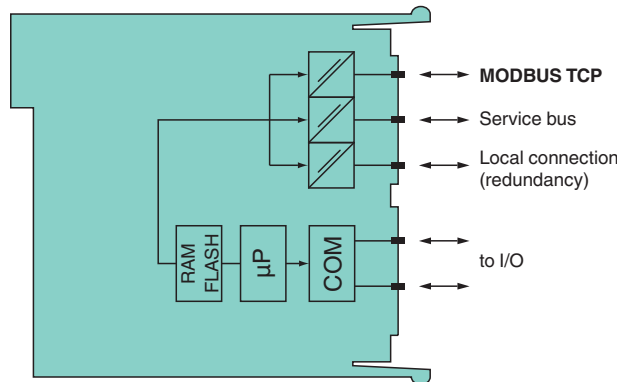
- Interface between the I/O modules and the PCS/PLC
- Com unit for 80 analog or 184 digital channels
- Communication via MODBUS TCP
- Mounting in Zone 2, Class I/Div.2 or in the safe area
- HART communication via MODBUS TCP or service bus
- Configuration via FDT 1.2 DTM
- Non-volatile memory for configuration and parameter settings
- Self configuration in redundant systems
- Permanently self-monitoring
- Outputs drive to safe state in case of failures
- Module can be exchanged under voltage



Function

The MODBUS TCP com unit forms the interface between the I/O modules on the backplane and the process control system. It supports all single width and dual width I/O modules. Thereby signals from NAMUR sensors, mechanical contacts, high-power solenoid drivers, power relays, sounders, and alarm LEDs are transported to the higher-level bus system. The com unit can be easily configured via DTM and supports redundancy as well as HART.

Connection



Zone 2
Div. 2

Technical Data

Supply		
Connection		backplane bus
Rated voltage	U _r	5 V DC , only in connection with the power supplies LB9***
Power dissipation		2.5 W
Power consumption		2.5 W
Fieldbus connection		
Fieldbus type		MODBUS TCP
Ethernet Interface		
Connection type		RJ-45 , via backplane
Transfer rate		10 MBit/s
Station connection		directly to PCS or PLC or via hubs or switches

Release date: 2023-11-28 Date of issue: 2023-11-28 Filename: 287583_eng.pdf

Refer to "General Notes Relating to Pepperl+Fuchs Product Information".

Pepperl+Fuchs Group
www.pepperl-fuchs.com

USA: +1 330 486 0002
pa-info@us.pepperl-fuchs.com

Germany: +49 621 776 2222
pa-info@de.pepperl-fuchs.com

Singapore: +65 6779 9091
pa-info@sg.pepperl-fuchs.com

PF PEPPERL+FUCHS

Technical Data

Bus length	max. 100 m (CAT 7 cable)
Addressing	IP address assigned via Ethernet
Ethernet address	IP V4 address (factory standard setting: 0.0.0.0, auto IP, DHCP)
Number of channels per station	max. 80 analog, max. 184 digital
Supported I/O modules	all LB remote I/O modules
HART communication	via Ethernet or service bus
Internal bus	
Connection	backplane bus
Redundancy	via backplane
Service interface	
Connection	9-pole to RS 485 standard , Sub-D
Number of stations per bus line	31 (RS-485 standard)
Indicators/settings	
LED indication	LED P: (power supply): On = operating, fast flash = cold start LED 1: (collective alarm): On = internal fault, flashing = no fieldbus connection LED 2: (operating mode): flashing 1 (1:1 ratio) = active, normal operation; flashing 2 (7:1 ratio) = active, simulation LED 3: (status fieldbus): flashing = fieldbus receive channel active LED 4: (status fieldbus): flashing = fieldbus response channel active LED 5: (status service bus): flashing = service bus receive channel active LED 6: (status service bus): flashing = service bus response channel active
Directive conformity	
Electromagnetic compatibility	
Directive 2014/30/EU	EN 61326-1
Conformity	
Degree of protection	IEC 60529
Fieldbus standard	IEEE 802.3
Environmental test	EN 60068-2-14
Shock resistance	EN 60068-2-27
Vibration resistance	EN 60068-2-6
Damaging gas	EN 60068-2-42
Relative humidity	EN 60068-2-78
Ambient conditions	
Ambient temperature	-40 ... 60 °C (-40 ... 140 °F)
Storage temperature	-40 ... 85 °C (-40 ... 185 °F)
Relative humidity	95 % non-condensing
Altitude	max. 2000 m
Shock resistance	shock type I, shock duration 11 ms, shock amplitude 15 g, number of shocks 18
Vibration resistance	frequency range 10 ... 150 Hz; transition frequency: 57.56 Hz, amplitude/acceleration ± 0.075 mm/1 g; 10 cycles frequency range 5 ... 100 Hz; transition frequency: 13.2 Hz amplitude/acceleration ± 1 mm/0.7 g; 90 minutes at each resonance
Damaging gas	designed for operation in environmental conditions acc. to ISA-S71.04-1985, severity level G3
Mechanical specifications	
Degree of protection	IP20 (module) , mounted on backplane
Connection	via backplane
Mass	approx. 150 g
Dimensions	32.5 x 100 x 102 mm (1.28 x 3.9 x 4 inch)
Data for application in connection with hazardous areas	
Certificate	PF 08 CERT 1234 X
Marking	Ⓔ II 3 G Ex nA IIC T4 Gc
Directive conformity	
Directive 2014/34/EU	EN IEC 60079-0:2018+AC:2020 , EN 60079-15:2010
International approvals	
ATEX approval	PF 08 CERT 1234 X
UL approval	E106378

Release date: 2023-11-28 Date of issue: 2023-11-28 Filename: 287583_eng.pdf

Refer to "General Notes Relating to Pepperl+Fuchs Product Information".

Pepperl+Fuchs Group
www.pepperl-fuchs.comUSA: +1 330 486 0002
pa-info@us.pepperl-fuchs.comGermany: +49 621 776 2222
pa-info@de.pepperl-fuchs.comSingapore: +65 6779 9091
pa-info@sg.pepperl-fuchs.com

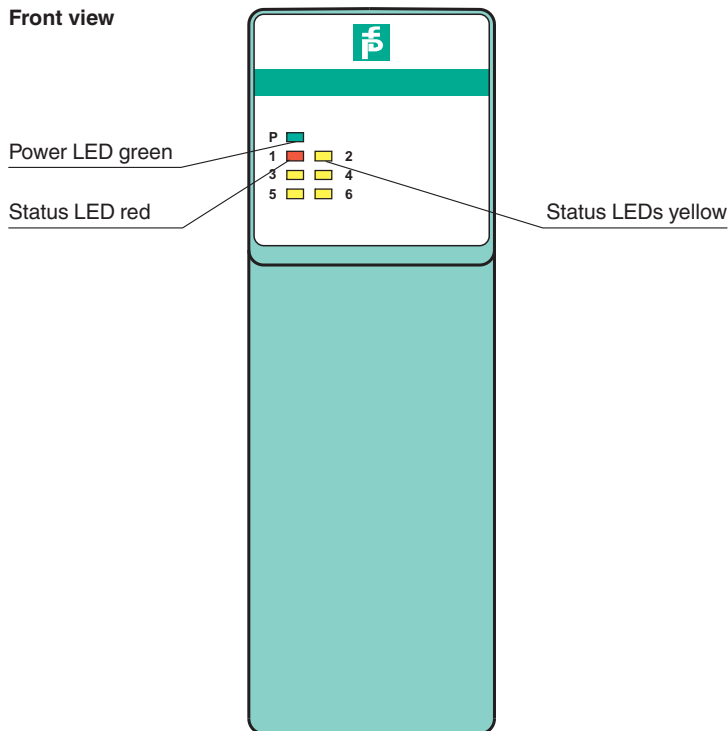
PEPPERL+FUCHS

Technical Data

IECEX approval	
IECEX certificate	IECEX BVS 09.0037X
IECEX marking	Ex nA IIC T4 Gc
General information	
System information	The module has to be mounted in appropriate backplanes (LB9***) in Zone 2 or outside hazardous areas. Here, observe the corresponding declaration of conformity. For use in hazardous areas (e. g. Zone 2, Zone 22 or Div. 2) the module must be installed in an appropriate enclosure.
Supplementary information	EC-Type Examination Certificate, Statement of Conformity, Declaration of Conformity, Attestation of Conformity and instructions have to be observed where applicable. For information see www.pepperl-fuchs.com .

Assembly

Front view



Release date: 2023-11-28 Date of issue: 2023-11-28 Filename: 287583_eng.pdf

Refer to "General Notes Relating to Pepperl+Fuchs Product Information".