

PU Series

5/2, 5/3 Way Pilot Solenoid Valve

Features

1. Medium size and large flow rate.
2. Lockable manual override for easy operation.
3. Aluminum body with surface anodizing treatment and strict quality control for long durability.
4. Coil nut is available, please refer to page 5-1.



How to order

PU520	X	-	02	N	-	S	2	L	E1
520:5/2 Way	Acting style		Port size	Thread		Solenoid	Voltage	LED	Coil type
530:5/3 Way	Blank:Standard 5/3 Way Blank:Closed center X:Exhaust center Y:Pressurized center		01:1/8"(option) 02:1/4" 03:3/8" 04:1/2"	Blank:G N:NPT R:Rc		S:Single solenoid D:Double solenoid	1:110VAC 2:220VAC 6:24VAC 7:12VDC 9:24VDC	Blank:W/O LED L:W/I LED	Blank:DIN F:Lead wire E1:EX-proof 22mm width E2:EX-proof 30mm width E3:EX-proof CSA standard

* Please refer to page 5-10 for the details of ex-proof coil.

How to order manifold

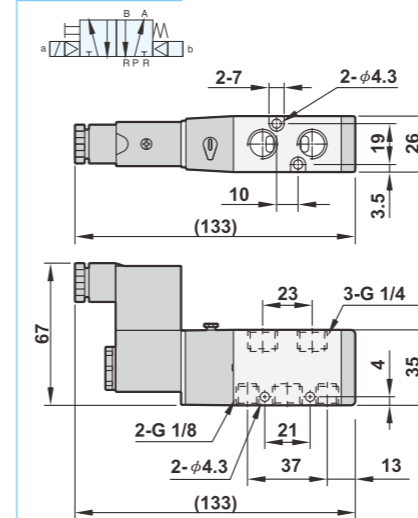
MF520	-	02	N	02
		Port size	Thread	Stations
		02:1/4"	Blank:G	02:2 Stations
		03:3/8"	N:NPT	03:3 Stations
		04:1/2"	R:Rc	XX:XX Stations

Specifications

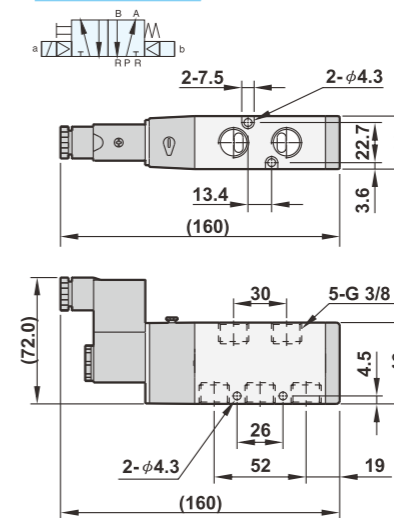
Model	PU520-02-S(D)	PU530-02-D	PU520-03-S(D)	PU530-03-D	PU520-04-S(D)	PU530-04-D
Port size	1/4", 1/8" (Exhaust ports)		3/8"		1/2"	
Body material	Aluminum alloy					
Fluid	Compressed air					
Effective area	18mm ²	14mm ²	35mm ²	32mm ²	70mm ²	54mm ²
Acting	Internal pilot					
Operating pressure range	1.5~8 kgf/cm ²	2~8 kgf/cm ²	1.5~8 kgf/cm ²		2~8 kgf/cm ²	
Proof pressure	9.9 kgf/cm ²					
Ambient temperature	-10°C ~ 60°C					
Duty cycle	100% ED					
Coil type	DIN (Standard)					
Protection class	IP65 (DIN 40 050)					
Insulation class	F					
Voltage tolerance	±10%					
Standard voltage	220VAC, 110VAC, 24VDC (The other voltage is optional)					
Net weight	270g / 335g	475g	430g / 525g	715g	665g / 770g	1045g

Dimensions

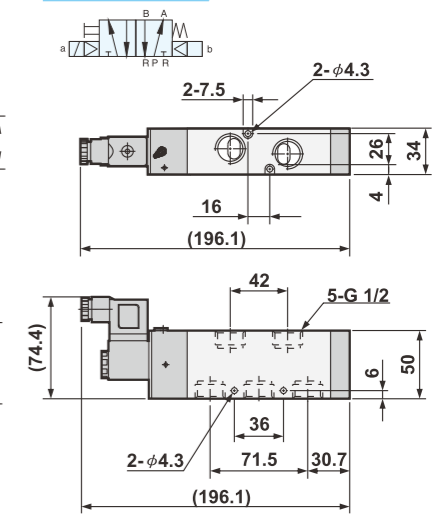
PU520-02-S



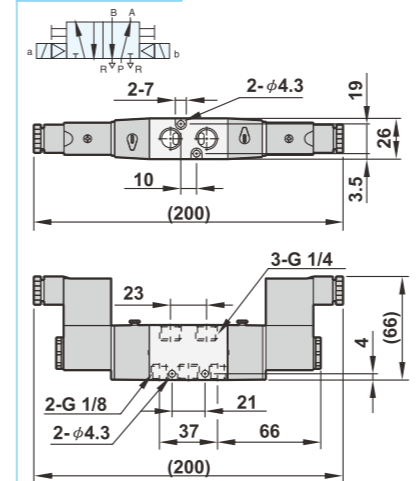
PU520-03-S



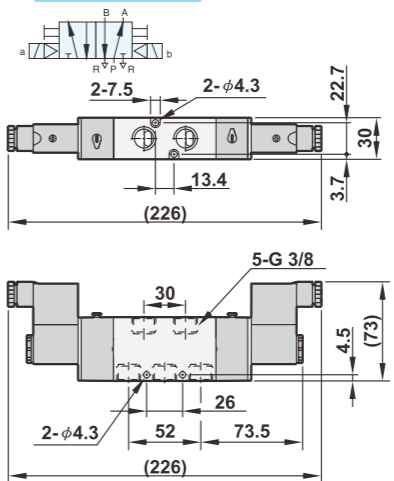
PU520-04-S



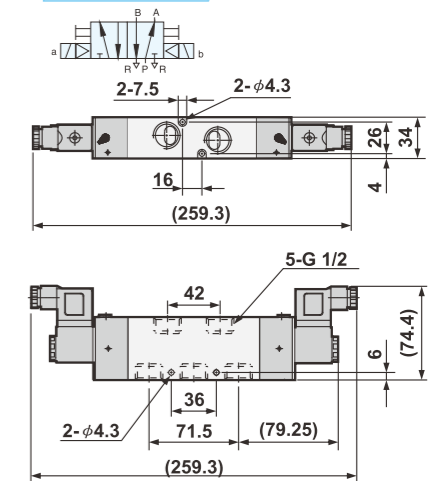
PU520-02-D



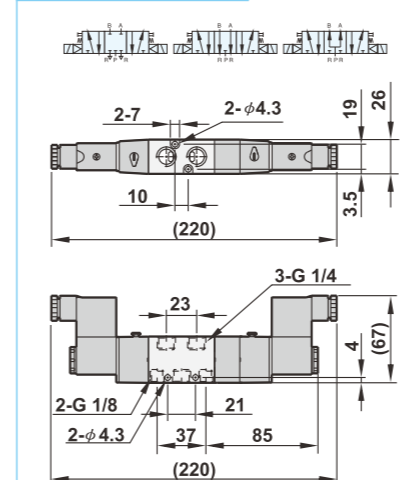
PU520-03-D



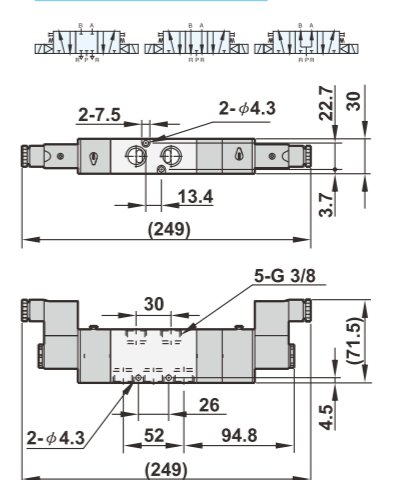
PU520-04-D



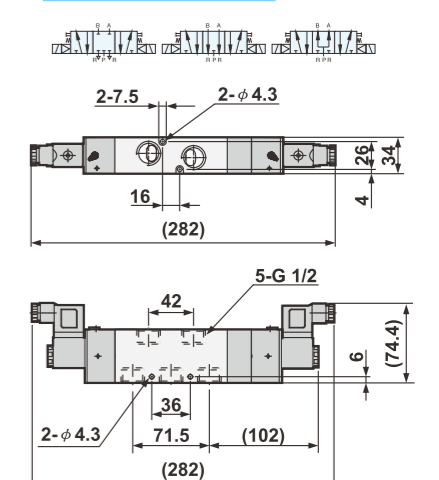
PU530(X)(Y)-02-D



PU530(X)(Y)-03-D

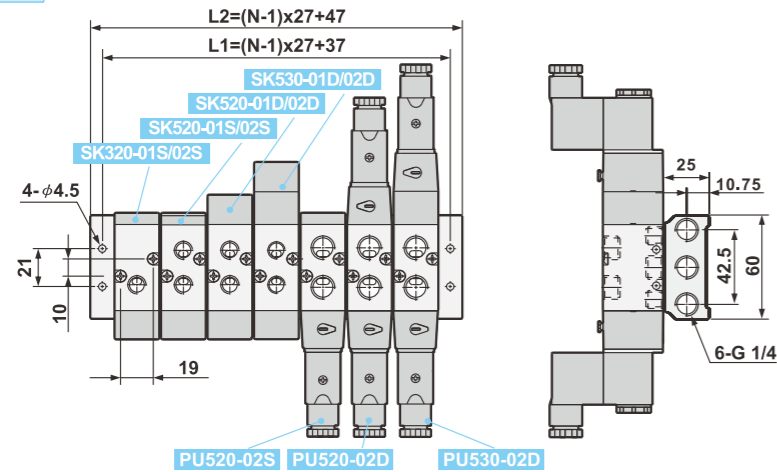


PU530(X)(Y)-04-D



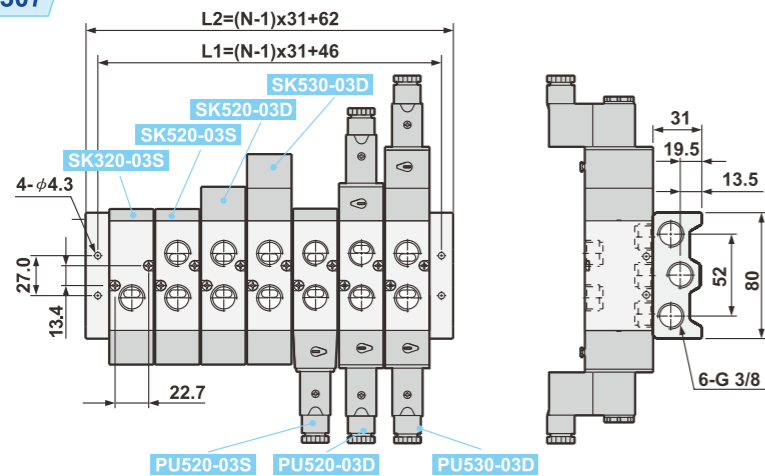
■ Dimensions

MF520-0207



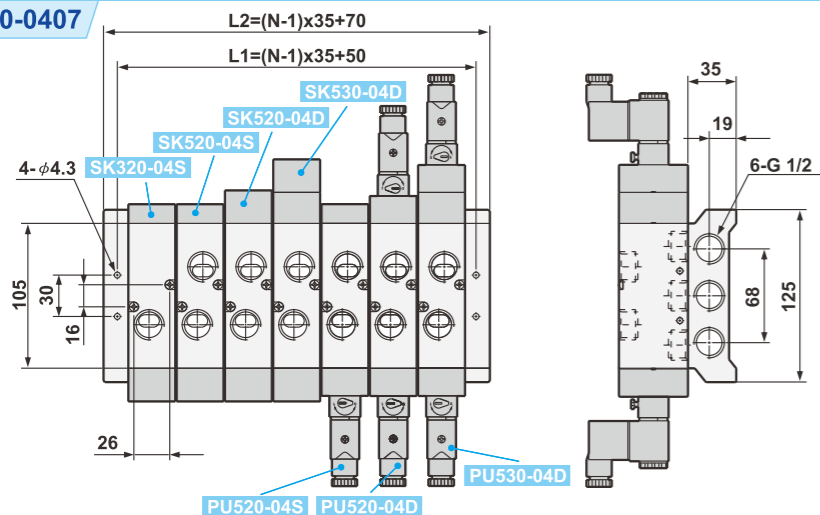
Number of station (N)	L1	L2
2	64	74
3	91	101
4	118	128
5	145	155
6	172	182
7	199	209
8	226	236
9	253	263
10	280	290

MF520-0307



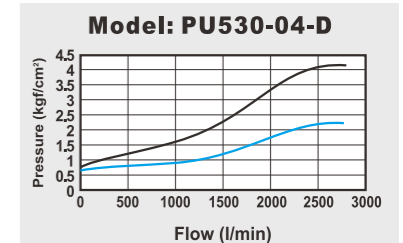
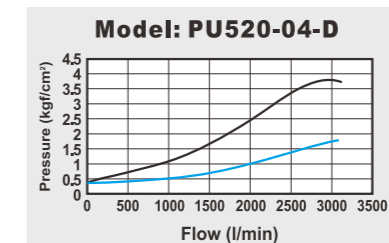
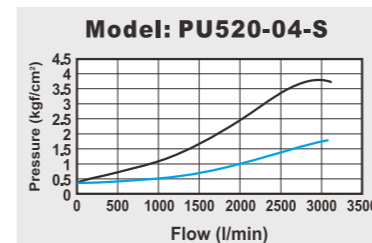
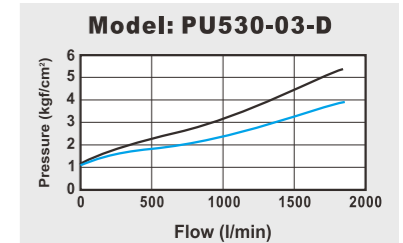
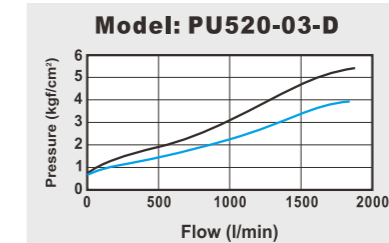
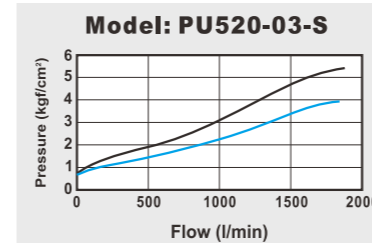
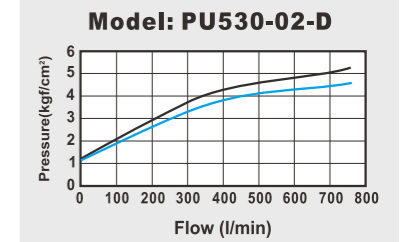
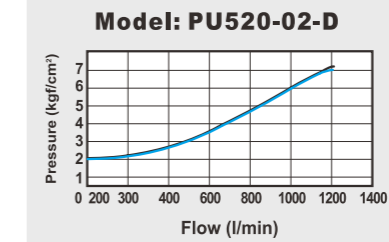
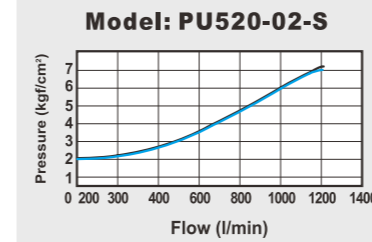
Number of station (N)	L1	L2
2	77	93
3	108	124
4	139	155
5	170	186
6	201	217
7	232	248
8	263	279
9	294	310
10	325	341

MF520-0407



Number of station (N)	L1	L2
2	85	105
3	120	140
4	155	175
5	190	210
6	225	245
7	260	280
8	295	315
9	330	350
10	365	385

■ Flow chart



■ Explosion

